



PIXEL LIGHT

MODEL | AGL-V791T-ET
FAMILY | VAT

DESCRIPTION

Pixel Dot effect lights, can achieve the effect from the point to surface, through systematically changing the color of the pixel. The lamp is small in size, light in weight, able to achieve seamless stitching, and capable for any splicing for visual building contours and design requirements. With flexible section control function, it is possible to realize colorful pixel effect for the hotels, shopping malls, buildings, square landscapes, municipals, bridges and other outdoor landscape lighting projects to provide new lighting solutions. Die-cast aluminium.

TYPE OF MOUNTING

In-ground

TECHNICAL SPECIFICATIONS

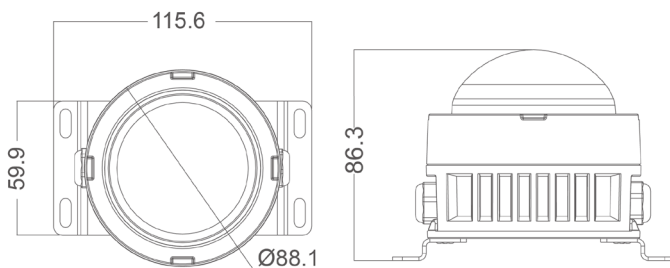
Model	AGL-V791T-ET
Power	5 W
Lumens	42.53 lm
Efficiency	8 lm/W
Input Voltage	DC24V
CCT	RGB
Beam Angle	120°
Operating temperature	-40° to 45° C



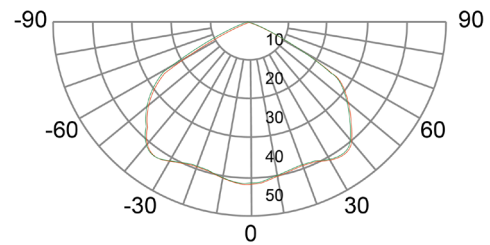
COLORS



DIMENSION



PHOTOMETRIC CURVE



Average Beam Angle (50%) : 120.0°

MODEL | AGL-V792T-ET
FAMILY | VAT

DESCRIPTION

Pixel dot effect lights, can achieve the effect from the point to surface, through systematically changing the color of the pixel. The lamp is small in size, light in weight, it is possible to realize colorful pixel effect for the hotels, shopping malls, buildings, square landscapes, municipals, bridges, and other outdoor landscape lighting projects to provide new lighting solutions. Die-cast aluminium.



TYPE OF MOUNTING

In-ground

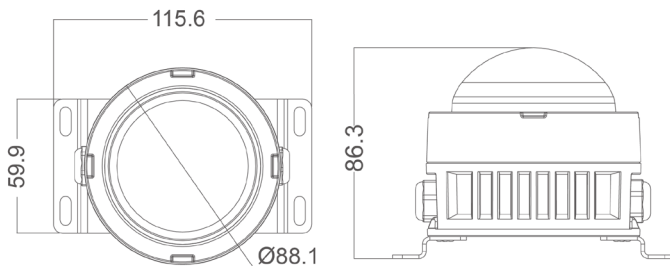
COLORS



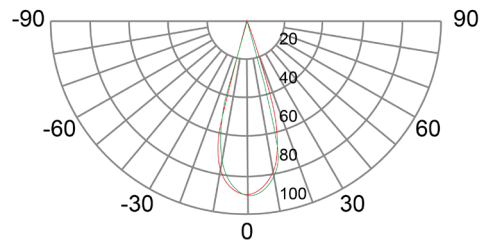
TECHNICAL SPECIFICATIONS

Model	AGL-V792T-ET
Power	5 W
Lumens	42.55 lm
Efficiency	8 lm/W
Input Voltage	DC24V
CCT	RGB
Beam Angle	30° / 45° / 60° / 45°x30°
Operating temperature	-40° to 45° C

DIMENSION



PHOTOMETRIC CURVE



Average Beam Angle (50%) : 30.0°

MODEL | AGL-V793T-ET
FAMILY | VAT

DESCRIPTION

Pixel dot effect lights, can achieve the effect from the point to surface, through systematically changing the color of the pixel. The lamp is small in size, light in weight, it is possible to realize colorful pixel effect for the hotels, shopping malls, buildings, square landscapes, municipals, bridges, and other outdoor landscape lighting projects to provide new lighting solutions. Die-cast aluminium.



TYPE OF MOUNTING

In-ground

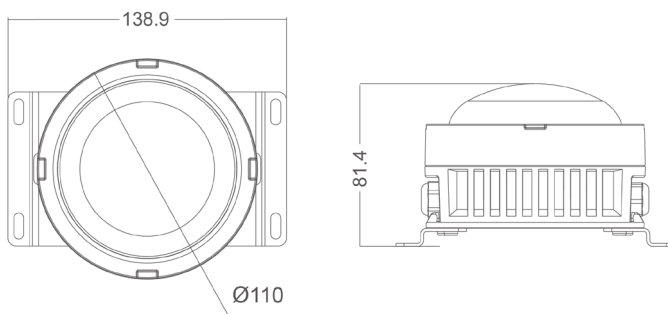
COLORS



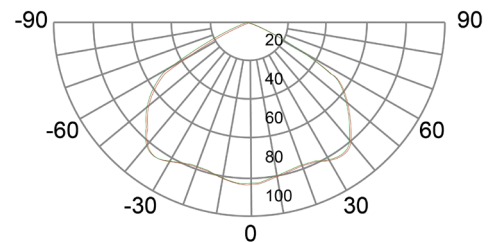
TECHNICAL SPECIFICATIONS

Model	AGL-V793T-ET
Power	9 W
Lumens	147 lm
Efficiency	16 lm/W
Input Voltage	DC24V
CCT	RGB
Beam Angle	120°
Operating temperature	-40° to 45° C

DIMENSION



PHOTOMETRIC CURVE



Average Beam Angle (50%) : 120.0°

MODEL | AGL-V794T-ET
FAMILY | VAT

DESCRIPTION

Pixel dot effect lights, can achieve the effect from the point to surface, through systematically changing the color of the pixel. The lamp is small in size, light in weight, it is possible to realize colorful pixel effect for the hotels, shopping malls, buildings, square landscapes, municipals, bridges, and other outdoor landscape lighting projects to provide new lighting solutions. Die-cast aluminium.



TYPE OF MOUNTING

In-ground

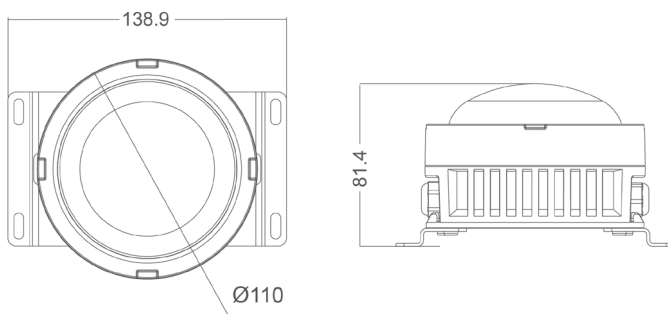
COLORS



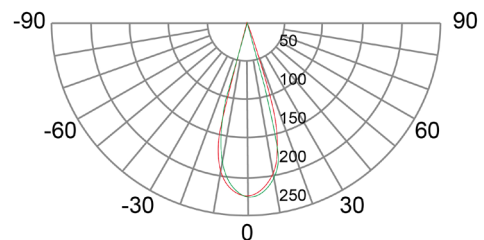
TECHNICAL SPECIFICATIONS

Model	AGL-V794T-ET
Power	9 W
Lumens	148 lm
Efficiency	16 lm/W
Input Voltage	DC24V
CCT	RGB
Beam Angle	30° / 45° / 60° / 45°x30°
Operating temperature	-40° to 45° C

DIMENSION



PHOTOMETRIC CURVE



Average Beam Angle (50%) : 30.0°

MODEL | AGL-V795T-ET
FAMILY | VAT

DESCRIPTION

Pixel dot effect lights, can achieve the effect from the point to surface, through systematically changing the color of the pixel. The lamp is small in size, light in weight, it is possible to realize colorful pixel effect for the hotels, shopping malls, buildings, square landscapes, municipals, bridges, and other outdoor landscape lighting projects to provide new lighting solutions. Die-cast aluminium.



TYPE OF MOUNTING

In-ground

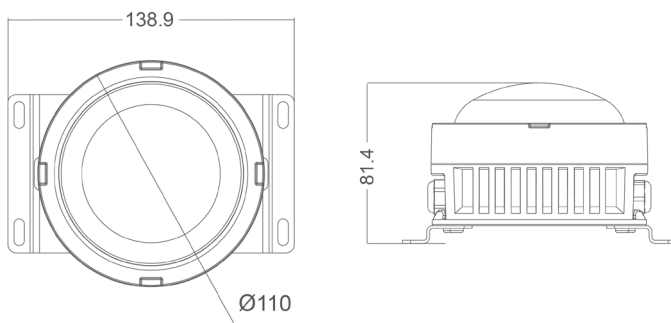
COLORS



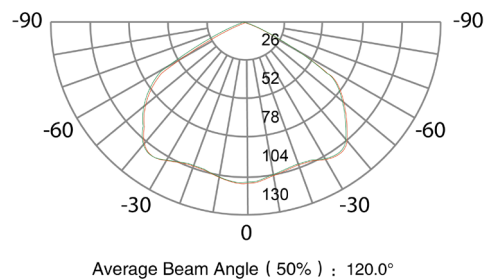
TECHNICAL SPECIFICATIONS

Model	AGL-V795T-ET
Power	13 W
Lumens	190 lm
Efficiency	14 lm/W
Input Voltage	DC24V
CCT	RGB
Beam Angle	120°
Operating temperature	-40° to 45° C

DIMENSION



PHOTOMETRIC CURVE



MODEL | AGL-V796T-ET
FAMILY | VAT

DESCRIPTION

Pixel dot effect lights, can achieve the effect from the point to surface, through systematically changing the color of the pixel. The lamp is small in size, light in weight, it is possible to realize colorful pixel effect for the hotels, shopping malls, buildings, square landscapes, municipals, bridges, and other outdoor landscape lighting projects to provide new lighting solutions. Die-cast aluminium.



TYPE OF MOUNTING

In-ground

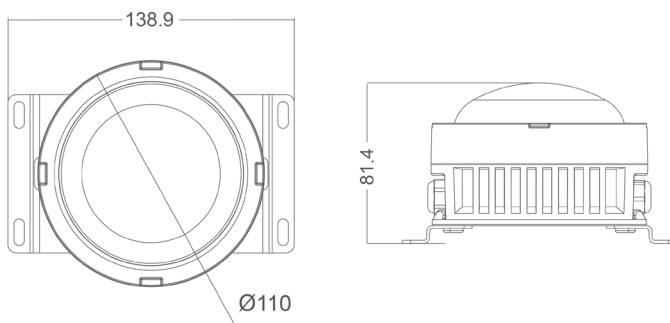
COLORS



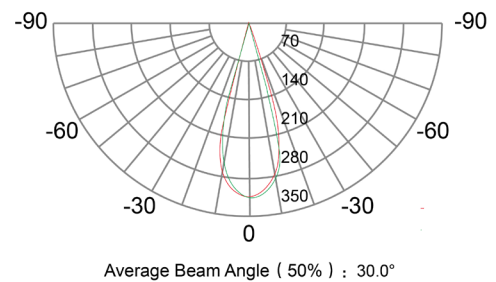
TECHNICAL SPECIFICATIONS

Model	AGL-V796T-ET
Power	13 W
Lumens	200 lm
Efficiency	15 lm/W
Input Voltage	DC24V
CCT	RGB
Beam Angle	30° / 45° / 60° / 45°x30°
Operating temperature	-40° to 45° C

DIMENSION



PHOTOMETRIC CURVE



MODEL | AGL-T781A-XCET
FAMILY | VAT

DESCRIPTION

Designed for in-ground installations, with custom optics to create optimal optical performance, providing perfect color mixing and high performance. The all-weather IP67 housing allows it to be installed in a wide range of indoor and outdoor surface washing applications.

TYPE OF MOUNTING

In-ground

TECHNICAL SPECIFICATIONS

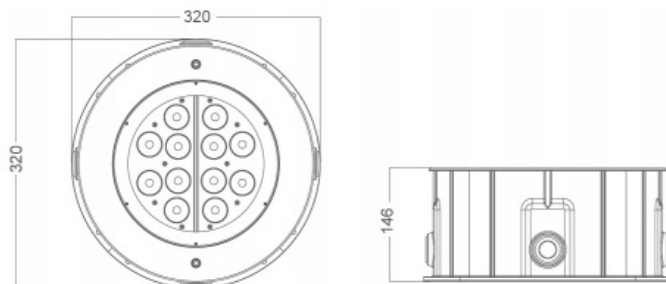
Power	46 W
Lumens	1 700 lm
Input Voltage	AC100-240V
CCT	12 multichips (RGBW)
Beam Angle	16°



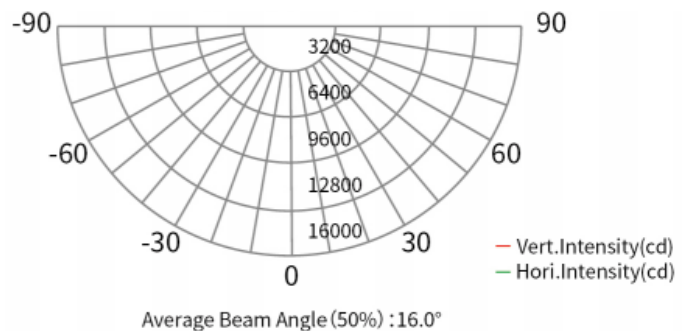
COLORS



DIMENSION



PHOTOMETRIC CURVE



MODEL | AGL-T786A-SCT / AGL-T786A-SWT
FAMILY | VAT

DESCRIPTION

Designed for in-ground installations, with custom optics to create optimal optical performance, providing perfect color mixing and high performance. The all-weather IP67 housing allows it to be installed in a wide range of indoor and outdoor surface washing applications.



TYPE OF MOUNTING

In-ground

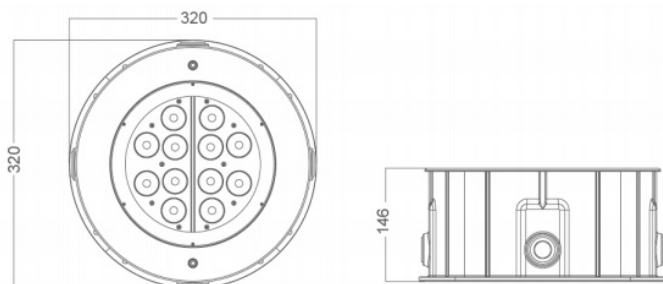
COLORS



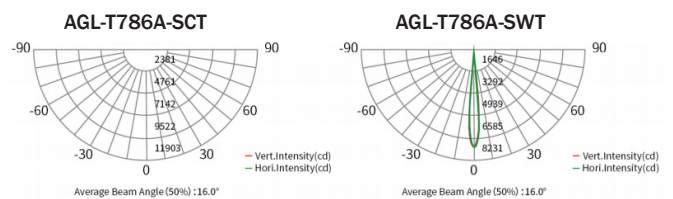
TECHNICAL SPECIFICATIONS

Model	AGL-T786A-SCT	AGL-T786A-SWT
Power	28 W	28 W
Lumens	1 553 lm	1 300 lm
Input Voltage	AC100-240V	AC100-240V
CCT	12 LED's cool white	12 LED's warm white
Beam Angle	16°	16°

DIMENSION



PHOTOMETRIC CURVE



MODEL	AGL-T784A-XCET
FAMILY	VAT

DESCRIPTION


Designed for in-ground installations, with custom optics to create optimal optical performance, providing perfect color mixing and high performance. The all-weather IP67 housing allows it to be installed in a wide range of indoor and outdoor surface washing applications.



TYPE OF MOUNTING

In-ground

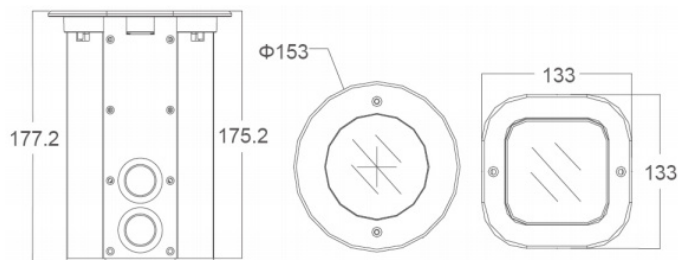
COLORS

 Black with Gray

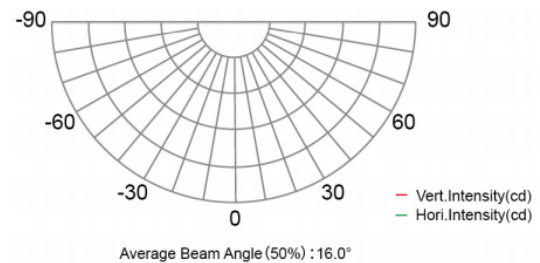
TECHNICAL SPECIFICATIONS

Power	12 W
Lumens	440 lm
Input Voltage	AC100-240V
CCT	3 multichips (RGBW)
Beam Angle	16°

DIMENSION



PHOTOMETRIC CURVE



MODEL	AGL-T785A-SCT / AGL-T785A-SWT
FAMILY	VAT

DESCRIPTION

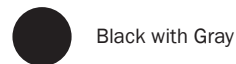
Designed for in-ground installations, with custom optics to create optimal optical performance, providing perfect color mixing and high performance. The IP67 all-weather housing allows it to be installed in a wide range of indoor and outdoor surface washing applications.



TYPE OF MOUNTING

In-ground

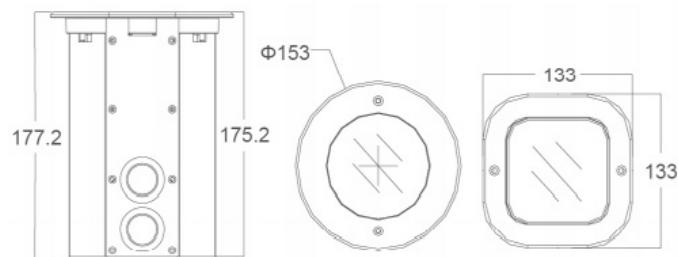
COLORS



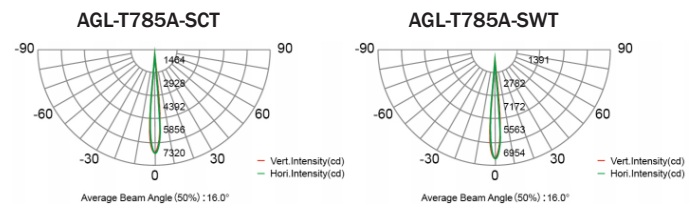
TECHNICAL SPECIFICATIONS

Model	AGL-T785A-SCT	AGL-T785A-SWT
Power	12 W	12 W
Lumens	774 lm	735 lm
Input Voltage	AC100-240V	AC100-240V
CCT	3 LED's cool white	3 LED's warm white
Beam Angle	16°	16°

DIMENSION



PHOTOMETRIC CURVE



MODEL	AGL-T761A-XCET
FAMILY	VAT

DESCRIPTION

Designed for floor or wall installations, it uses tri-color LEDs or custom optics to create optimal optical performance, providing excellent color mixing and high performance. The IP67 all-weather housing allows it to be installed in a wide range of indoor and outdoor surface washing applications.



TYPE OF MOUNTING

In-ground

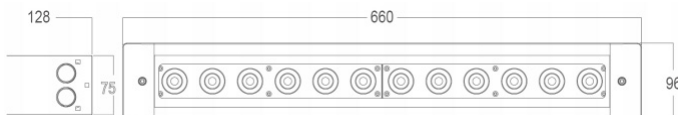
COLORS



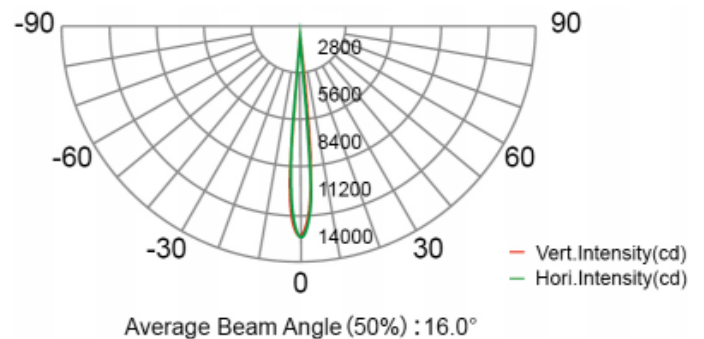
TECHNICAL SPECIFICATIONS

Power	43 W
Lumens	4 500 lm
Input Voltage	AC100-240V
CCT	12 multichips (RGBW)
Beam Angle	16°

DIMENSION



PHOTOMETRIC CURVE



MODEL	AGL-T761A-SCT / AGL-T761A-SWT
FAMILY	VAT

DESCRIPTION

Designed for floor or wall installations, it uses tri-color LEDs or custom optics to create optimal optical performance, providing excellent color mixing and high performance. The IP67 all-weather housing allows it to be installed in a wide range of indoor and outdoor surface washing applications.



TYPE OF MOUNTING

In-ground

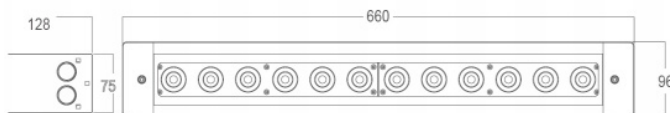
COLORS



TECHNICAL SPECIFICATIONS

Model	AGL-T761A-SCT	AGL-T761A-SWT
Power	30 W	30 W
Lumens	1 600 lm	1 512 lm
Input Voltage	AC100-240V	AC100-240V
CCT	12 LED's cool white	12 LED's warm white
Beam Angle	16°	16°

DIMENSION



PHOTOMETRIC CURVE

