



# SPOT LIGHT

<b>MODEL</b>	AGL-P749I-XCT / AGL-P749I-SCT / AGL-P749I-SWT / AGL-P749I-CAT
<b>FAMILY</b>	PAI

## DESCRIPTION

The high power spot light series, equipped with advanced intelligent color management system, can better ensure the consistency of light color of luminaries. Equipped with adjustable glare shield, supporting RDM Bi-directional feedback function, the fixture can provide the real-time feedback for malfunction and its working status, which reduces the troubleshooting and cost for the maintenance. Suitable for landscapes, bridges, monuments, architectural facades and other landscape lighting project. Die-cast aluminium.

## TYPE OF MOUNTING

Surface Mounting on floor



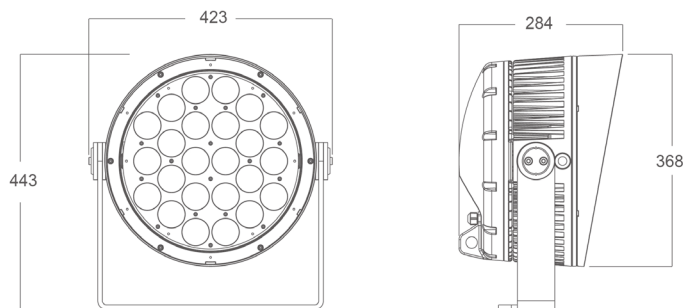
## COLORS



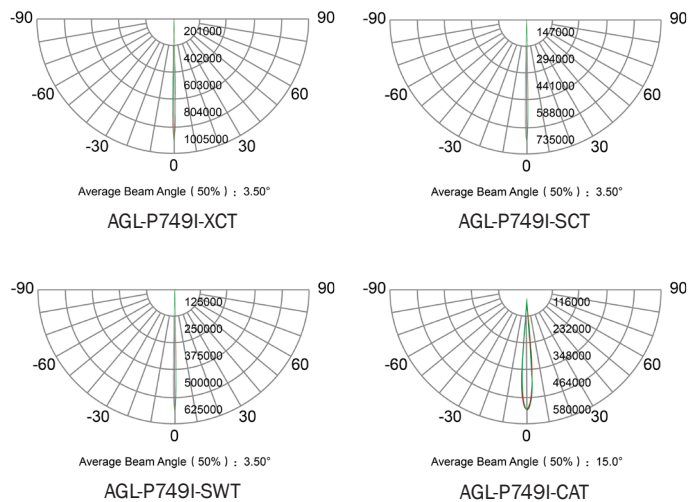
## TECHNICAL SPECIFICATIONS

Model	AGL-P749I-XCT	AGL-P749I-SCT	AGL-P749I-SWT	AGL-P749I-CAT
<b>Power</b>	350 W	300 W	300 W	300 W
<b>Lumens</b>	6 662 lm	11 874 lm	11 279 lm	9 819 lm
<b>Efficiency</b>	19 lm/W	39 lm/W	37 lm/W	32 lm/W
<b>Input Voltage</b>	AC100-277V	AC100-277V	AC100-277V	AC100-277V
<b>CCT</b>	RGBW	Cool white	Warm white	Cool white + Amber
<b>Beam Angle</b>	3.5°	3.5°	3.5°	15° / 20° / 30°
<b>Operating temperature</b>	-40° to 45° C	-40° to 45° C	-40° to 45° C	-40° to 45° C

## DIMENSION



## PHOTOMETRIC CURVE



**MODEL** | AGL-P749I-XLET / AGL-P749I-XAET /  
AGL-P749I-XCET

**FAMILY** | PAI

## DESCRIPTION

The high power spot light series, equipped with advanced intelligent color management system, can better ensure the consistency of light color of luminaries. Equipped with adjustable glare shield, supporting RDM Bi-directional feedback function, the fixture can provide the real-time feedback for malfunction and its working status, which reduces the troubleshooting and cost for the maintenance. Suitable for landscapes, bridges, monuments, architectural facades and other landscape lighting project. Die-cast aluminium.

## TYPE OF MOUNTING

Surface Mounting on floor

## TECHNICAL SPECIFICATIONS

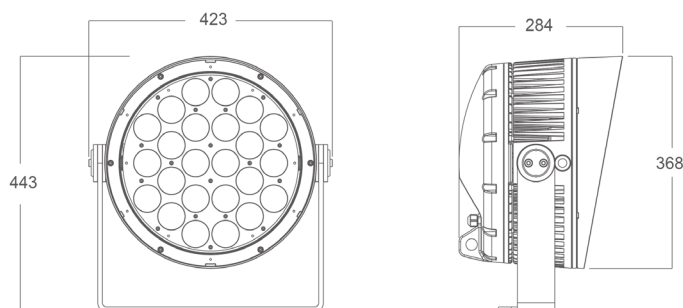
Model	AGL-P749I-XLET	AGL-P749I-XAET	AGL-P749I-XCET
Power	300 W	300 W	300 W
Lumens	13 575 lm	11 539 lm	12 218 lm
Efficiency	45 lm/W	38 lm/W	40 lm/W
Input Voltage	AC100-277V	AC100-277V	AC100-277V
CCT	RGBL	RGBA	RGBW
Beam Angle	14° / 25° / 30°	14° / 25° / 30°	14° / 25° / 30°
Operating temperature	-40° to 45 °C	-40° to 45 °C	-40° to 45 °C



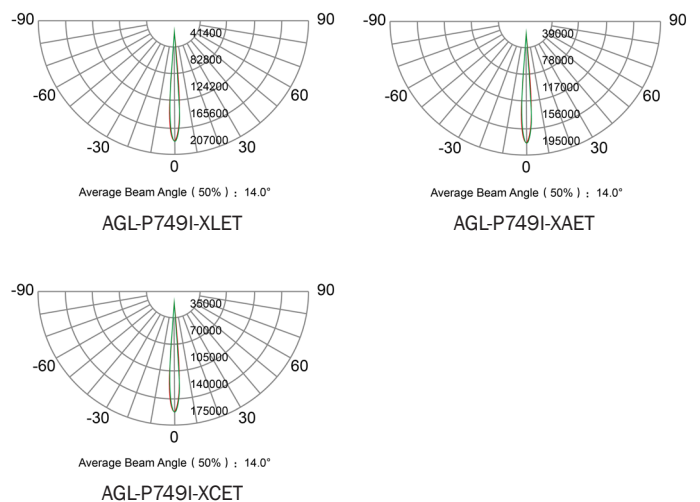
## COLORS



## DIMENSION



## PHOTOMETRIC CURVE



<b>MODEL</b>	<b>AGL-P1461I-XCT</b>
<b>FAMILY</b>	<b>PAI</b>

## DESCRIPTION

Newly developed four-in-one RGLB high-power spotlight, with more mixed color and advanced intelligent color and management system to better ensure light color consistency. The round design creates a low wind resistance coefficient, small volume, and good environmental integration, meeting the pole installation requirements. With an adjustable hood, RDM bi-directional feedback function, the new point can provide real-time feedback for malfunction and operating status, reducing the cost of troubleshooting and maintenance. With 3.0 color consistency system, the product can have 24 preset colors to make the color effect fast and accurate, it also has the CCT function from 1800K to 10000K.

## TYPE OF MOUNTING

Surface Mounting on floor

## TECHNICAL SPECIFICATIONS

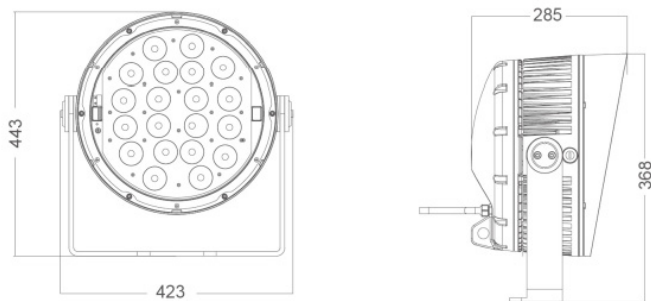
<b>Power</b>	400 W
<b>Lumens</b>	11 542 lm
<b>Input Voltage</b>	AC100-240V
<b>LED's</b>	20 multichips (RGLB)
<b>Beam Angle</b>	6°, 12°, 20°



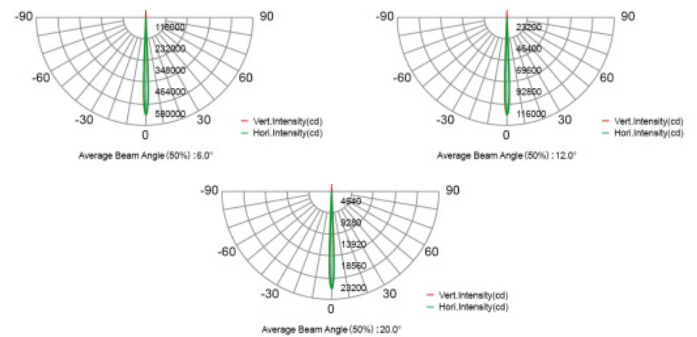
## COLORS



## DIMENSION



## PHOTOMETRIC CURVE



<b>MODEL</b>	<b>AGL-P1451I-XCT</b>
<b>FAMILY</b>	<b>PAI</b>

## DESCRIPTION

Newly developed high-power four-in-one RGBL light source, with intelligent temperature control system, high color saturation, richer and more delicate color mixing. The original intelligent dimming technology can achieve colorful lighting performance. With advanced RMD function, the new point can provide real-time information for malfunction and working status, reducing the cost of troubleshooting and maintenance. With 3.0 color consistency system, the product can have 24 colors Preset to make the color effect fast and accurate, it also has the CCT function from 1800K to 10000K.



## TYPE OF MOUNTING

Surface Mounting on floor

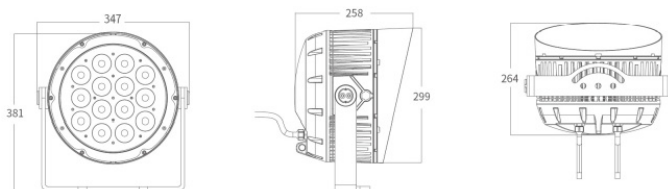
## TECHNICAL SPECIFICATIONS

<b>Power</b>	280 W
<b>Lumens</b>	7 678 lm
<b>Input Voltage</b>	AC100-240V
<b>LED's</b>	114 multichips (RGBL)
<b>Beam Angle</b>	6°, 12°, 20°

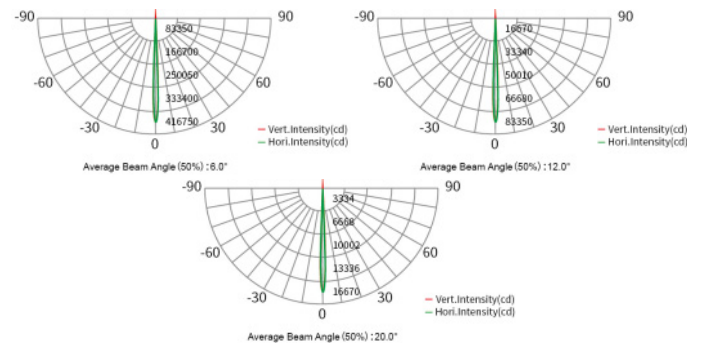
## COLORS



## DIMENSION



## PHOTOMETRIC CURVE



**MODEL** | AGL-P1441I-XCT  
**FAMILY** | PAI

## DESCRIPTION

New four-in-one RGBL light source, with intelligent temperature control system, high color saturation, excellent color mixing effect, creative DMX dimming technology, helping architectures to present a more artistic effect. With advanced RMD function, the new point can provide real-time information for malfunction and working status, reducing the cost of troubleshooting and maintenance. With 3.0 color consistency system, the product can have 24 colors Preset to make the color effect fast and accurate, it also has the CCT function from 1800K to 10000K, to achieve a different color temperature effect for customers. Anyway, with this new system, we can keep the different production batches in the same colors.

## TYPE OF MOUNTING

Surface Mounting on floor

## TECHNICAL SPECIFICATIONS

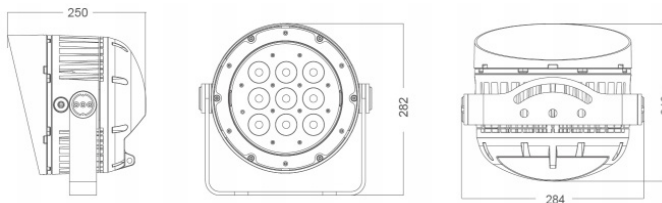
<b>Power</b>	180 W
<b>Lumens</b>	5 024 lm
<b>Input Voltage</b>	AC100-240V
<b>LED's</b>	9 multichips (RGBL)
<b>Beam Angle</b>	6°, 12°, 20°



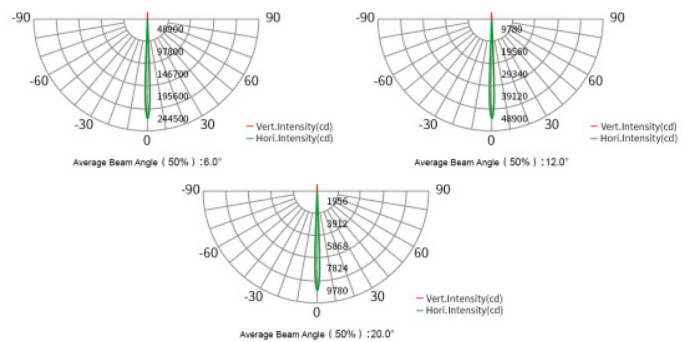
## COLORS



## DIMENSION



## PHOTOMETRIC CURVE



<b>MODEL</b>	<b>AGL-P1431I-XCT603</b>
<b>FAMILY</b>	<b>PAI</b>

## DESCRIPTION

Newly developed four-in-one RGLB light source, with intelligent temperature control system, high color saturation, richer and more delicate color mixing. The original intelligent dimming technology can achieve colorful lighting performance. With the advanced RMD function, the new point can provide the real-time feedback for the malfunction and working status, reducing the cost of troubleshooting and maintenance. With 3.0 color consistency system, the product can have 24 preset colors to make the color effect fast and accurate, it also has CCT function from 1800K to 10000K, to achieve different color temperature effects for customers. Anyway, with this new system, we can keep the different production batches in the same colors.

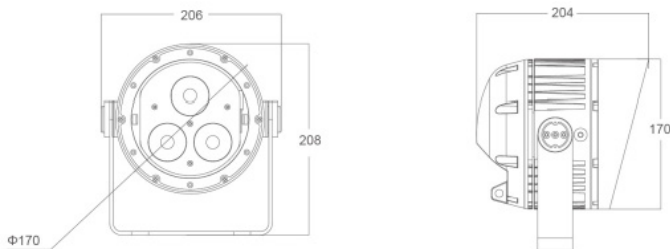
## TYPE OF MOUNTING

Surface Mounting on floor

## TECHNICAL SPECIFICATIONS

<b>Power</b>	60 W
<b>Lumens</b>	1 440 lm
<b>Input Voltage</b>	AC100-240V
<b>LED's</b>	3 multichips (RGLB)
<b>Beam Angle</b>	6°, 12°, 20°

## DIMENSION

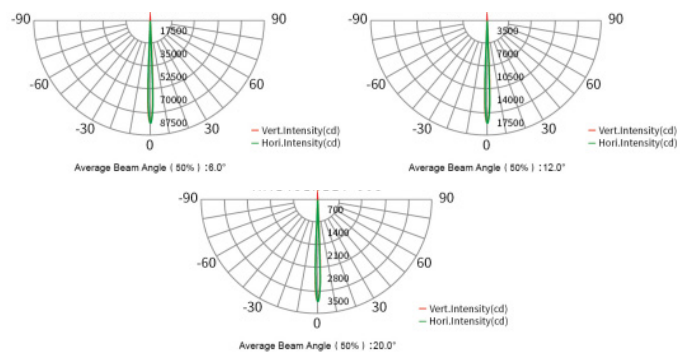


## COLORS



White

## PHOTOMETRIC CURVE



**MODEL** | AGL-P1421I-XCT402

**FAMILY** | PAI

## DESCRIPTION

Newly developed four-in-one RGLB light source, with intelligent temperature control system, high color saturation, richer and more delicate color mixing. The original intelligent dimming technology can achieve colorful lighting performance. With the advanced RMD function, the new point can provide the real-time feedback for the malfunction and working status, reducing the cost of troubleshooting and maintenance. With 3.0 color consistency system, the product can have 24 preset colors to make the color effect fast and accurate, it also has CCT function from 1800K to 10000K, to achieve different color temperature effects for customers. Anyway, with this new system, we can keep the different production batches in the same colors.

## TYPE OF MOUNTING

Surface Mounting on floor

## TECHNICAL SPECIFICATIONS

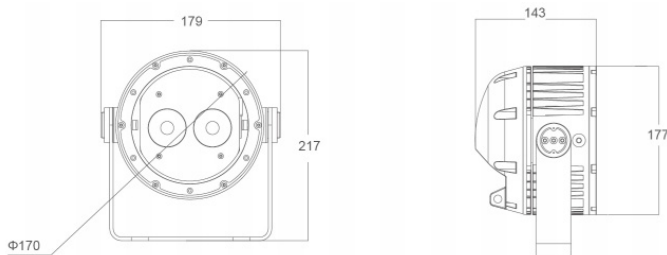
<b>Power</b>	40 W
<b>Lumens</b>	874 lm
<b>Input Voltage</b>	AC100-240V
<b>LED's</b>	2 multichips (RGLB)
<b>Beam Angle</b>	6°, 12°, 20°



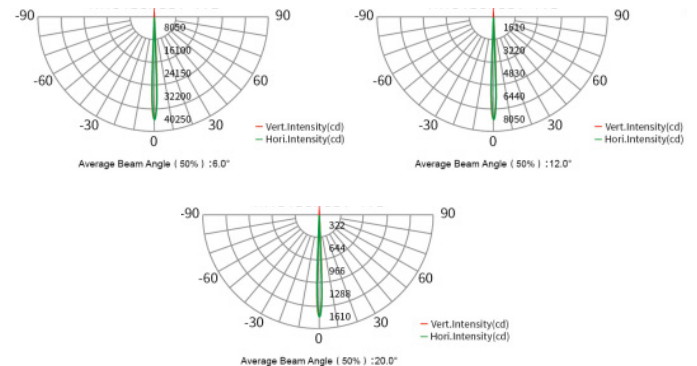
## COLORS



## DIMENSION



## PHOTOMETRIC CURVE





**MODEL** | AGL-P1431I-XCT1005  
**FAMILY** | PAI

## DESCRIPTION

New four-in-one RGBL light source, with intelligent temperature control system, high color saturation, excellent color mixing effect, creative DMX dimming technology, helping architectures to present a more artistic effect. With advanced RMD function, the new point can provide real-time information for malfunction and working status, reducing the cost of troubleshooting and maintenance. With 3.0 color consistency system, the product can have 24 colors Preset to make the color effect fast and accurate, it also has the CCT function from 1800K to 10000K, to achieve a different color temperature effect for customers. Anyway, with this new system, we can keep the different production batches in the same colors.

## TYPE OF MOUNTING

Surface Mounting on floor

## TECHNICAL SPECIFICATIONS

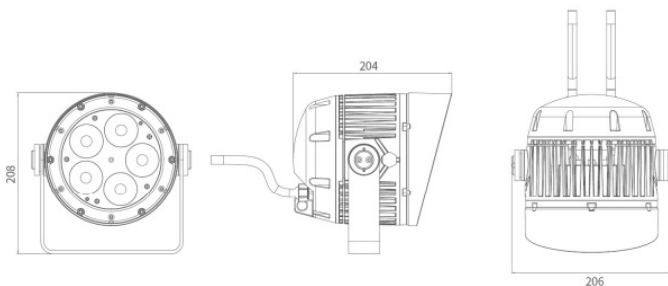
<b>Power</b>	100 W
<b>Lumens</b>	2 978 lm
<b>Input Voltage</b>	AC100-240V
<b>LED's</b>	5 multichips (RGBL)
<b>Beam Angle</b>	6°, 12°, 20°



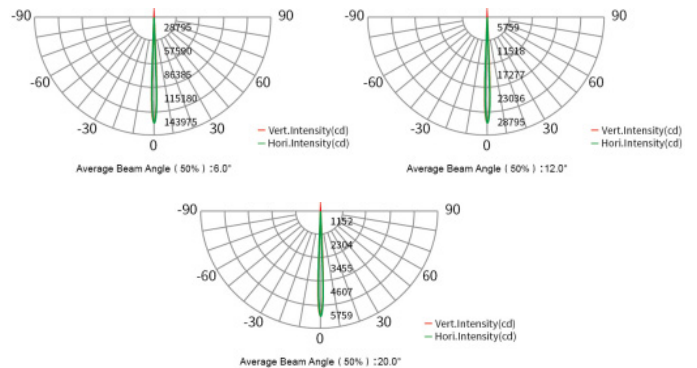
## COLORS



## DIMENSION



## PHOTOMETRIC CURVE



**MODEL** | AGL-P1421I-XCT201

**FAMILY** | PAI

## DESCRIPTION

Newly developed four-in-one RGBL light source, with intelligent temperature control system, high color saturation, richer and more delicate color mixing. The original intelligent dimming technology can achieve colorful lighting performance. With the advanced RMD function, the new point can provide the real-time feedback for the malfunction and working status, reducing the cost of troubleshooting and maintenance. With 3.0 color consistency system, the product can have 24 preset colors to make the color effect fast and accurate, it also has CCT function from 1800K to 10000K, to achieve different color temperature effects for customers. Anyway, with this new system, we can keep the different production batches in the same colors.

## TYPE OF MOUNTING

Surface Mounting on floor

## TECHNICAL SPECIFICATIONS

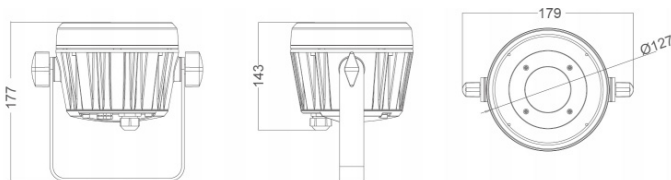
<b>Power</b>	20 W
<b>Lumens</b>	554 lm
<b>Input Voltage</b>	AC100-240V
<b>LED's</b>	1 multichip (RGBL)
<b>Beam Angle</b>	6°, 12°, 20°



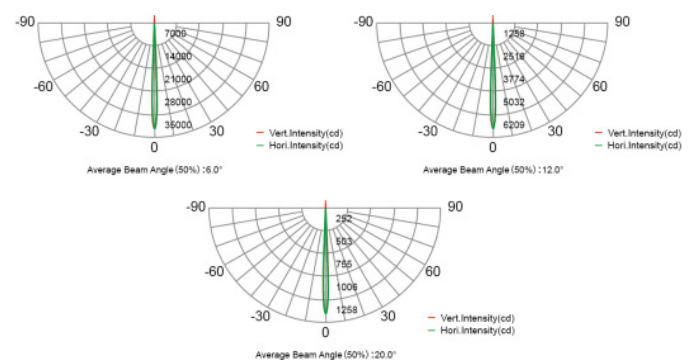
## COLORS



## DIMENSION



## PHOTOMETRIC CURVE



**MODEL** | AGL-P747I-XLET / AGL-P747I-XAET /  
AGL-P747I-XCET

**FAMILY** | PAI



## DESCRIPTION

High power LED spot lights, with die-casting aluminum housing, attractive and durable, new 4 in 1 color version, optional for a variety of optical lens, built-in power supply and driver, independent heat dissipation system, equipped with adjustable glare shield, able to create an unparalleled lighting effect for the monuments, buildings, bridges and other projects. Die-cast aluminium.

## TYPE OF MOUNTING

Surface Mounting on floor

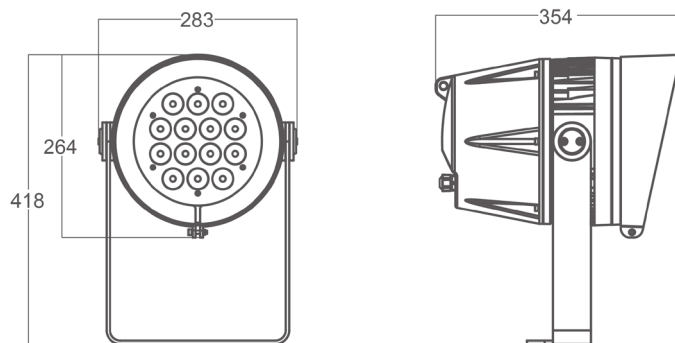
## COLORS



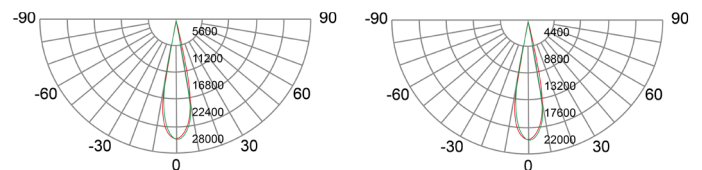
## TECHNICAL SPECIFICATIONS

Model	AGL-P747I-XLET	AGL-P747I-XAET	AGL-P747I-XCET
Power	180 W	180 W	180 W
Lumens	5 706 lm	4 551 lm	5 135 lm
Efficiency	31 lm/W	25 lm/W	28 lm/W
Input Voltage	AC100-277V	AC100-277V	AC100-277V
CCT	RGBL	RGBA	RGBW
Beam Angle	22° / 30°	22° / 30°	22° / 30°
Operating temperature	-40° to 45 °C	-40° to 45 °C	-40° to 45 °C

## DIMENSION



## PHOTOMETRIC CURVE

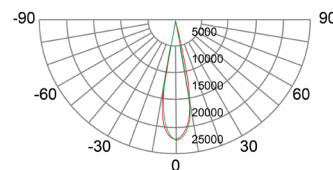


Average Beam Angle ( 50% ) : 22.0°

AGL-P747I-XLET

Average Beam Angle ( 50% ) : 22.0°

AGL-P747I-XAET



Average Beam Angle ( 50% ) : 22.0°

AGL-P747I-XCET

<b>MODEL</b>	AGL-P747I-T / AGL-P747I-XCT / AGL-P747I-SCT / AGL-P747I-SWT / AGL-P747I-CAT
<b>FAMILY</b>	PAI

## DESCRIPTION

High power LED spot lights, with die-casting aluminum housing, attractive and durable, available for RGB version, optional for a variety of optical lens, built-in power supply and driver, independent heat dissipation system, equipped with adjustable glare shield, able to create an unparallel lighting effect for the monuments, buildings, bridges and other projects. Die-cast aluminium.



AGL-P747I-T / AGL-P747I-XCT



AGL-P747I-SCT / AGL-P747I-SWT /  
AGL-P747I-CAT

## TYPE OF MOUNTING

Surface Mounting on floor

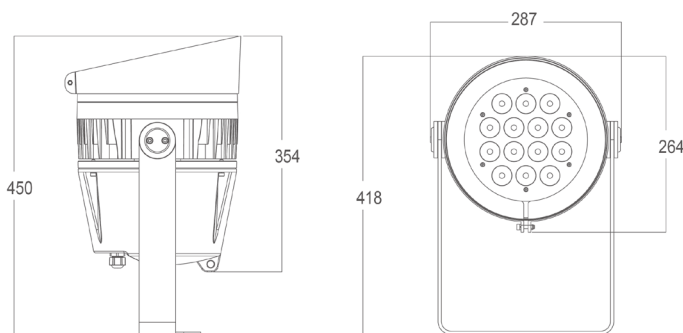
## COLORS



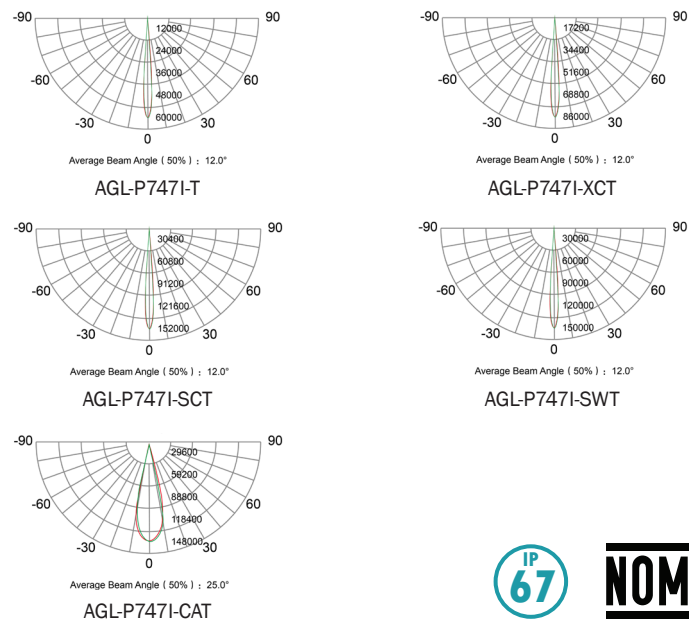
## TECHNICAL SPECIFICATIONS

Model	AGL-P747I-T	AGL-P747I-XCT	AGL-P747I-SCT	AGL-P747I-SWT	AGL-P747I-CAT
<b>Power</b>	170 W	170 W	150 W	150 W	150 W
<b>Lumens</b>	3 360 lm	4 586 lm	8 505 lm	7 695 lm	7 425 lm
<b>Efficiency</b>	19 lm/W	26 lm/W	56 lm/W	51 lm/W	49 lm/W
<b>Input Voltage</b>	AC100-277V	AC100-277V	AC100-277V	AC100-277V	AC100-277V
<b>CCT</b>	RGB	RGBW	Cool white	Warm white	Cool white + Amber
<b>Beam Angle</b>	12° (5°/25°/45°)	12° (5°/25°/45°)	12° (5°/25°/45°)	12° (5°/25°/45°)	25° (5°/12°/45°)
<b>Operating temperature</b>	-40° to 45° C	-40° to 45° C	-40° to 45° C	-40° to 45° C	-40° to 45° C

## DIMENSION



## PHOTOMETRIC CURVE



<b>MODEL</b>	AGL-P746I-T / AGL-P746I-XCT / AGL-P746I-SCT / AGL-P746I-SWT / AGL-P746I-CAT
<b>FAMILY</b>	PAI

## DESCRIPTION

LED fixture, with exquisite outline, optional for multicolor LED chips, with built-in power supply and driver, independent heat dissipation system, provides a series of optical lens, and are equipped with adjustable glare shield. Controllable through the DMX512 system and pioneering digital dimming technology, professional lighting solutions for different kinds of lighting applications of buildings, sculptures, landmarks, and so on. Die-cast aluminium.

## TYPE OF MOUNTING

Surface Mounting on floor

## TECHNICAL SPECIFICATIONS

Model	AGL-P746I-T	AGL-P746I-XCT	AGL-P746I-SCT	AGL-P746I-SWT	AGL-P746I-CAT
<b>Power</b>	120 W	120 W	100 W	100 W	100 W
<b>Lumens</b>	2 665 lm	3 200 lm	5 600 lm	5 100 lm	4 950 lm
<b>Efficiency</b>	22 lm/W	26 lm/W	56 lm/W	51 lm/W	49 lm/W
<b>Input Voltage</b>	AC100-277V	AC100-277V	AC100-277V	AC100-277V	AC100-277V
<b>CCT</b>	RGB	RGBW	Cool white	Warm white	Cool white + Amber
<b>Beam Angle</b>	12° (5°/25°/45°)	12° (5°/25°/45°)	12° (5°/25°/45°)	12° (5°/25°/45°)	25° (5°/25°/45°)
<b>Operating temperature</b>	-40° to 45 °C	-40° to 45 °C	-40° to 45 °C	-40° to 45 °C	-40° to 45 °C



AGL-P746I-T / AGL-P746I-XCT

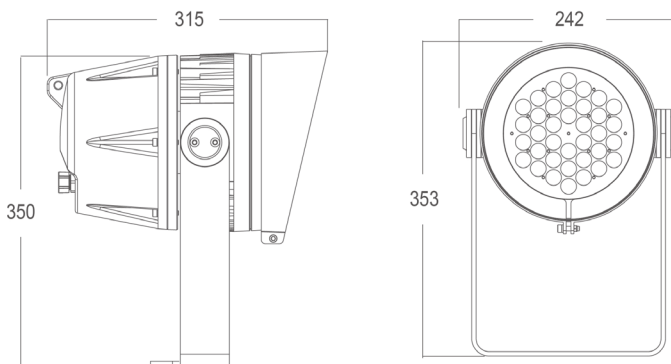


AGL-P746I-SCT / AGL-P746I-SWT /  
AGL-P746I-CAT

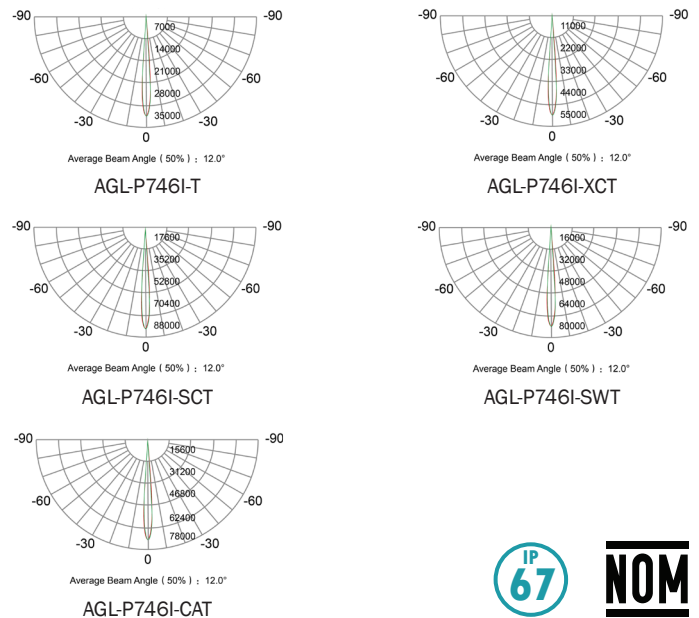
## COLORS



## DIMENSION



## PHOTOMETRIC CURVE



**MODEL** | AGL-P746I-XLET / AGL-P746I-XAET /  
AGL-P746I-XCET

**FAMILY** | PAI



## DESCRIPTION

Applies new type four-in-one LEDs, smart temperature control system, with high color saturation, extreme wonderful color mixing, creative DMX dimming technology and pioneering segment control system, which help architectures to present more artistic effect. With advanced RDM function, the new spot light can provide the real-time feedback for malfunction and its working status, reducing the cost for troubleshooting and maintenance. Die-cast aluminium.

## TYPE OF MOUNTING

Surface Mounting on floor

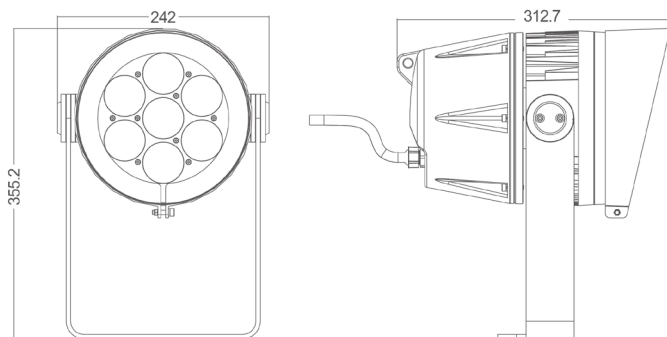
## COLORS



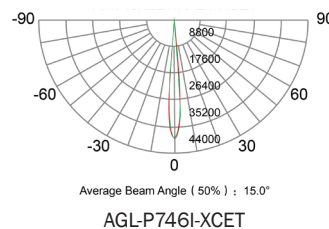
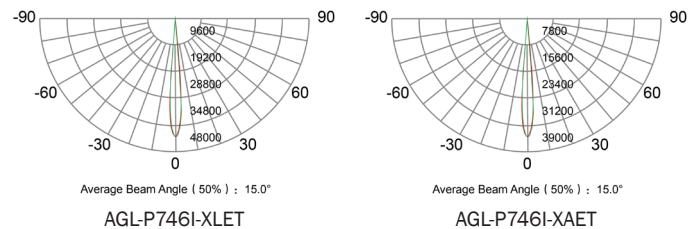
## TECHNICAL SPECIFICATIONS

Model	AGL-P746I-XLET	AGL-P746I-XAET	AGL-P746I-XCET
Power	105 W	105 W	105 W
Lumens	4 200 lm	3 200 lm	3 400 lm
Efficiency	40 lm/W	30 lm/W	32 lm/W
Input Voltage	AC100-277V	AC100-277V	AC100-277V
CCT	RGBL	RGBA	RGBW
Beam Angle	15° / 22° / 30°	15° / 22° / 30°	15° / 22° / 30°
Operating temperature	-40° to 45 °C	-40° to 45 °C	-40° to 45 °C

## DIMENSION



## PHOTOMETRIC CURVE



**MODEL** | AGL-P752I-XLET / AGL-P752I-XAET /  
AGL-P752I-XCET

**FAMILY** | PAI



## DESCRIPTION

Applies new type four-in-one LEDs, with high color saturation, extreme wonderful color mixing, creative DMX dimming technology and pioneering segment control system, which help architectures to present more artistic effect. With advanced RDM function, the new spot light can provide the real-time feedback for malfunction and its working status, reducing the cost for troubleshooting and maintenance. Die-cast aluminium.

## TYPE OF MOUNTING

Surface Mounting on floor

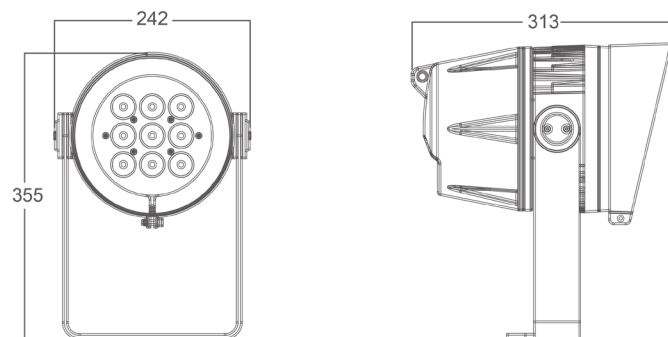
## COLORS



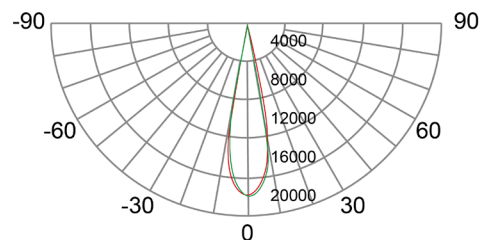
## TECHNICAL SPECIFICATIONS

Model	AGL-P752I-XLET	AGL-P752I-XAET	AGL-P752I-XCET
Power	120 W	120 W	120 W
Lumens	3 804 lm	3 034 lm	3 423 lm
Efficiency	31 lm/W	25 lm/W	28 lm/W
Input Voltage	AC100-277V	AC100-277V	AC100-277V
CCT	RGBL	RGBA	RGBW
Beam Angle	20° / 30°	20° / 30°	20° / 30°
Operating temperature	-40° to 45 °C	-40° to 45 °C	-40° to 45 °C

## DIMENSION



## PHOTOMETRIC CURVE



Average Beam Angle ( 50% ) : 20.0°

<b>MODEL</b>	AGL-P744I-T / AGL-P744I-XCT / AGL-P744I-SCT / AGL-P744I-SWT / AGL-P744I-CAT
<b>FAMILY</b>	PAI

## DESCRIPTION

Spot light, optional for RGB / RGBW / warm white / cool white / dynamic white / LED chips, with built-in power supply and driver, independent heat dissipation system, rotatable & fixable one-armed supporting bracket, adjustable glare shield, is available for a series of optical lens. Controllable through the DMX512 system and intelligent digital dimming technology, professional lighting solutions for all kinds of lighting applications. Die-cast aluminium.



AGL-P744I-T / AGL-P744I-XCT



AGL-P744I-SCT / AGL-P744I-SWT /  
AGL-P744I-CAT

## TYPE OF MOUNTING

Surface Mounting on floor

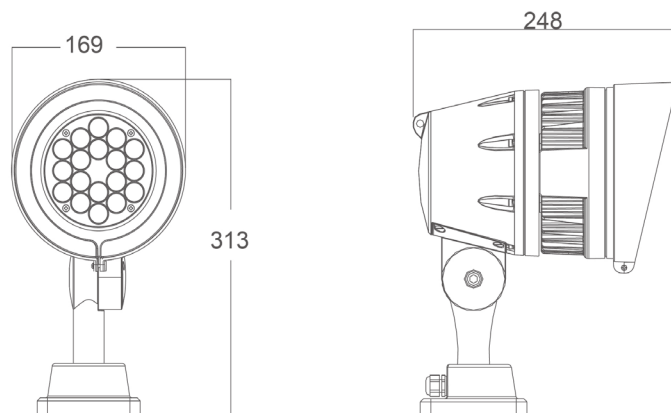
## COLORS



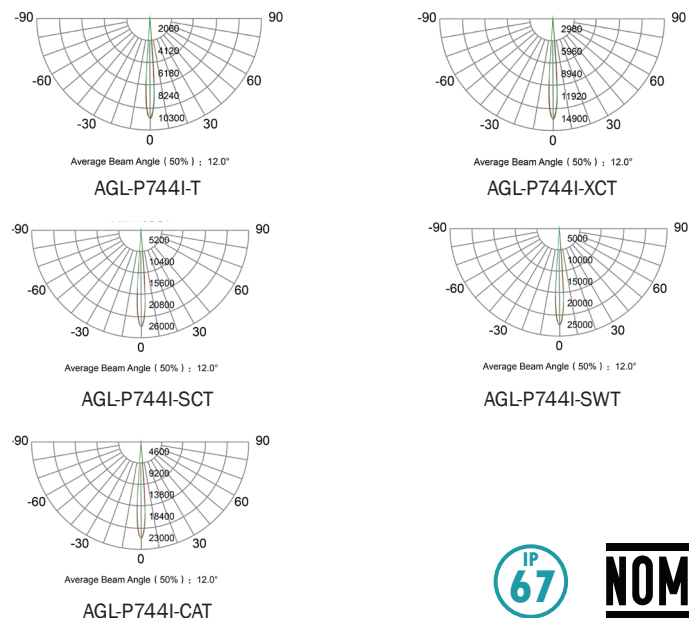
## TECHNICAL SPECIFICATIONS

Model	AGL-P744I-T	AGL-P744I-XCT	AGL-P744I-SCT	AGL-P744I-SWT	AGL-P744I-CAT
<b>Power</b>	55 W	55 W	55 W	55 W	55 W
<b>Lumens</b>	1 210 lm	1 760 lm	3 080 lm	2 805 lm	2 755 lm
<b>Efficiency</b>	22 lm/W	32 lm/W	56 lm/W	51 lm/W	50 lm/W
<b>Input Voltage</b>	AC100-240V	AC100-240V	AC100-240V	AC100-240V	AC100-240V
<b>CCT</b>	RGB	RGBW	Cool white	Warm white	Cool white + Amber
<b>Beam Angle</b>	12° (5°/25°/45°)	12° / 30°	12° (5°/25°/45°)	12° (5°/25°/45°)	25° (5°/25°/45°)
<b>Operating temperature</b>	-40° to 45° C	-40° to 45° C	-40° to 45° C	-40° to 45° C	-40° to 45° C

## DIMENSION



## PHOTOMETRIC CURVE





**MODEL** | AGL-P745I-XLET / AGL-P745I-XAET /  
AGL-P745I-XCET

**FAMILY** | PAI



## DESCRIPTION

Applies new type four-in-one LEDs, with high color saturation, extreme wonderful color mixing, creative DMX dimming technology and pioneering segment control system, which help architectures to present more artistic effect. With advanced RDM function, the new spot light can provide the real-time feedback for malfunction and its working status, reducing the cost for troubleshooting and maintenance. Die-cast aluminium.

## TYPE OF MOUNTING

Surface Mounting on floor

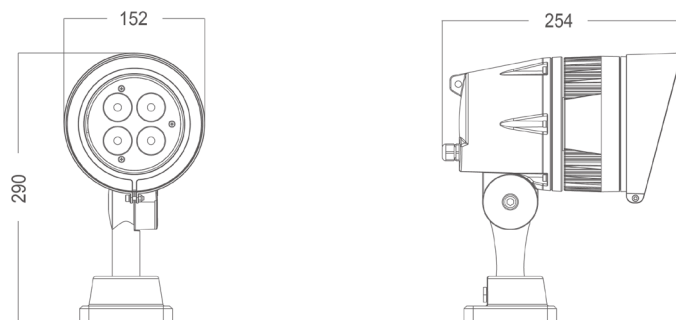
## COLORS



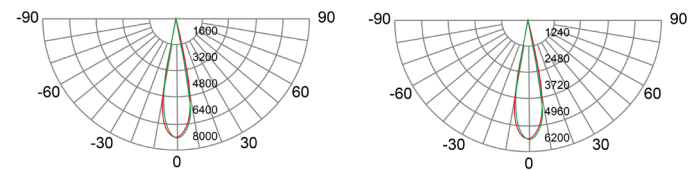
## TECHNICAL SPECIFICATIONS

Model	AGL-P745I-XLET	AGL-P745I-XAET	AGL-P745I-XCET
Power	50 W	50 W	50 W
Lumens	1 780 lm	1 425 lm	1 603 lm
Efficiency	35 lm/W	28 lm/W	32 lm/W
Input Voltage	AC100-277V	AC100-277V	AC100-277V
CCT	RGBL	RGBA	RGBW
Beam Angle	22° / 30°	22° / 30°	22° / 30°
Operating temperature	-40° to 45 °C	-40° to 45 °C	-40° to 45 °C

## DIMENSION

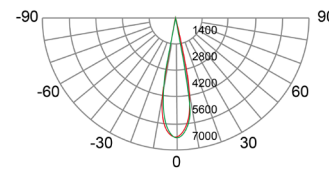


## PHOTOMETRIC CURVE



AGL-P745I-XLET

AGL-P745I-XAET



AGL-P745I-XCET

<b>MODEL</b>	AGL-P745I-T / AGL-P745I-XCT / AGL-P745I-SCT / AGL-P745I-SWT / AGL-P745I-CAT
<b>FAMILY</b>	PAI

## DESCRIPTION

Powerful, light and handy spot light, with high-strength die-casting aluminum housing, built-in power supply and driver, independent heat dissipation system, rotatable & fixable bracket support, available for a series of optical lens, and equipped with adjustable glare shield. Controllable via the DMX512 system, with creative intelligent dimming technology, the light color of the spotlight is softer, gorgeous, and it's widely suitable for the application of landscapes, bridges, exterior facades of buildings and etc. Die-cast aluminium.

## TYPE OF MOUNTING

Surface Mounting on floor

## TECHNICAL SPECIFICATIONS

Model	AGL-P745I-T	AGL-P745I-XCT	AGL-P745I-SCT	AGL-P745I-SWT	AGL-P745I-CAT
<b>Power</b>	38 W	38 W	38 W	38 W	38 W
<b>Lumens</b>	836 lm	1 216 lm	2 128 lm	1 938 lm	1 881 lm
<b>Efficiency</b>	22 lm/W	32 lm/W	56 lm/W	51 lm/W	49 lm/W
<b>Input Voltage</b>	AC100-277V	AC100-277V	AC100-277V	AC100-277V	AC100-277V
<b>CCT</b>	RGB	RGBC	Cool white	Warm white	Cool white + Amber
<b>Beam Angle</b>	12° (5°/25°/45°)	12° (5°/25°/45°)	12° (5°/25°/45°)	12° (5°/25°/45°)	25° (5°/25°/45°)
<b>Operating temperature</b>	-40° to 45 °C	-40° to 45 °C	-40° to 45 °C	-40° to 45 °C	-40° to 45 °C



AGL-P745I-T / AGL-P745I-XCT

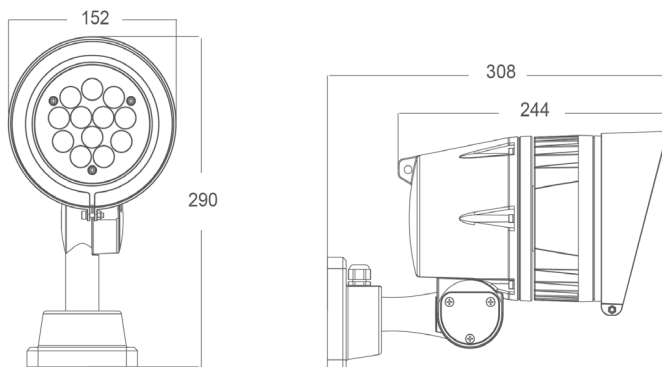


AGL-P745I-SCT / AGL-P745I-SWT /  
AGL-P745I-CAT

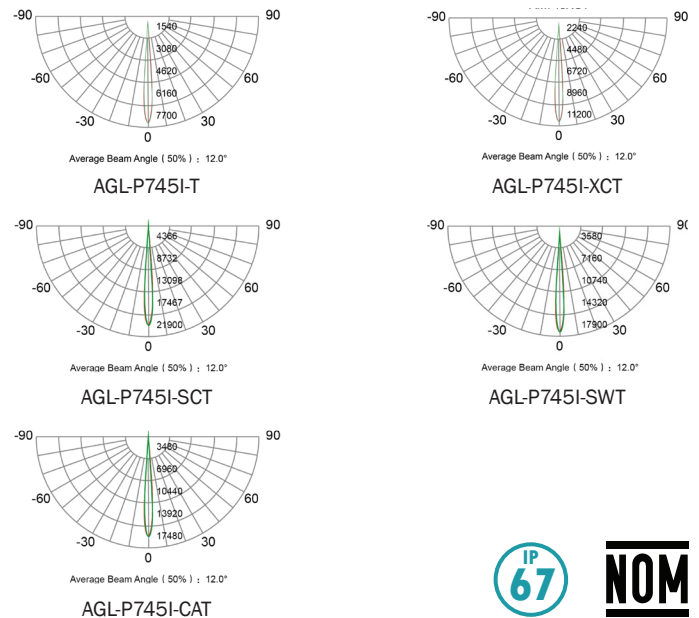
## COLORS



## DIMENSION



## PHOTOMETRIC CURVE



**MODEL** | AGL-P751I-XLET / AGL-P751I-XAET /  
AGL-P751I-XCET

**FAMILY** | PAI

## DESCRIPTION

Equipped with two four-in-one LEDs, the new delicate and compact design device, possesses intelligent DMX dimming technology. Integrated power and DMX signal cable and hand-in-hand wiring layout are designed for easy reliable installation. Die-cast aluminium.

## TYPE OF MOUNTING

Surface Mounting on floor

## TECHNICAL SPECIFICATIONS

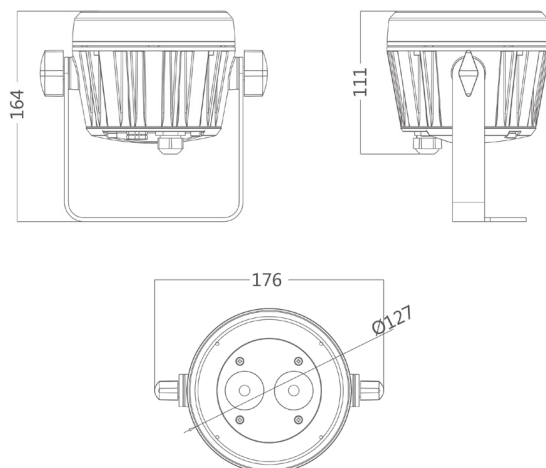
Model	AGL-P751I-XLET	AGL-P751I-XAET	AGL-P751I-XCET
Power	25 W	25 W	25 W
Lumens	840 lm	750 lm	661 lm
Efficiency	33 lm/W	30 lm/W	26 lm/W
Input Voltage	AC100-240V	AC100-240V	AC100-240V
CCT	RGBL	RGBA	RGBW
Beam Angle	22° / 30°	22° / 30°	22° / 30°
Operating temperature	-40° to 45 °C	-40° to 45 °C	-40° to 45 °C



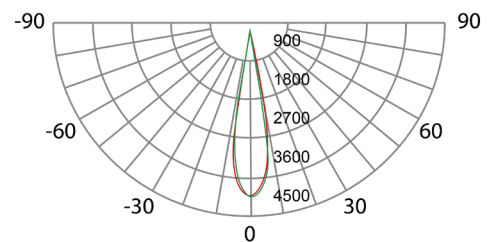
## COLORS



## DIMENSION



## PHOTOMETRIC CURVE



Average Beam Angle ( 50% ) : 22.0°

<b>MODEL</b>	AGL-P748I-SCT / AGL-P748I-SWT / AGL-P748I-CAT / AGL-P748I-XLET / AGL-P748I-XAET / AGL-P748I-XCET
<b>FAMILY</b>	PAI

## DESCRIPTION

New delicate and compact design device, possesses intelligent DMX dimming technology. With one divided into two design for power and signal cables, the device is flexible for project installation. Compact and elegant shape guarantees it an exquisite outdoor lighting fixture. Die-cast aluminium.



## TYPE OF MOUNTING

Surface Mounting on floor

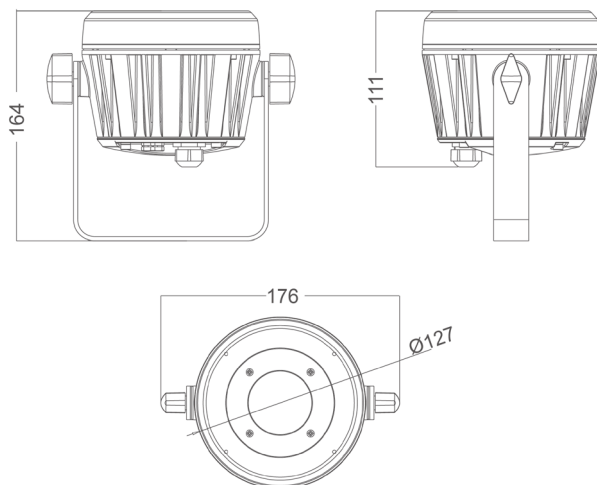
## COLORS



## TECHNICAL SPECIFICATIONS

Model	AGL-P748I-SCT	AGL-P748I-SWT	AGL-P748I-CAT	AGL-P748I-XLET	AGL-P748I-XAET	AGL-P748I-XCET
<b>Power</b>	15 W	15 W	15 W	15 W	15 W	15 W
<b>Lumens</b>	490 lm	450 lm	430 lm	550 lm	440 lm	470 lm
<b>Efficiency</b>	32 lm/W	30 lm/W	28 lm/W	36 lm/W	29 lm/W	31 lm/W
<b>Input Voltage</b>	AV100-240V	AC100-240V	AC100-240V	AC100-240V	AC100-240V	AC100-240V
<b>CCT</b>	Cool white	Warm white	Cool white + Amber	RGBL	RGBA	RGBW
<b>Beam Angle</b>	14°/22°/30°	14°/22°/30°	14°/22°/30°	14°/22°/30°	14°/22°/30°	14°/22°/30°
<b>Operating temperature</b>	-40° to 45° C	-40° to 45° C	-40° to 45° C	-40° to 45° C	-40° to 45° C	-40° to 45° C

## DIMENSION



## PHOTOMETRIC CURVE

