



L i g h t i n g

# LED Highbay Light

80W/100W/150W/200W/240W

**AGL-02-G17**

**140**  
lm/W

**IP**  
**65**

**Ik**  
**10**



# Specification



**IP65 water-proof**



**AC100-277V 50/60Hz**



**Easy Installation**



**140lm/W**

Beam Angle:60°/90°/120°

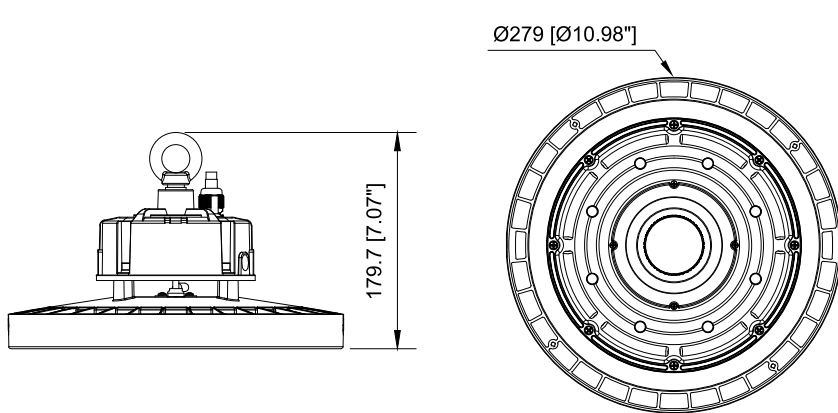
Warranty:5 Years Warranty

Raw Material:ADC12 Aluminum

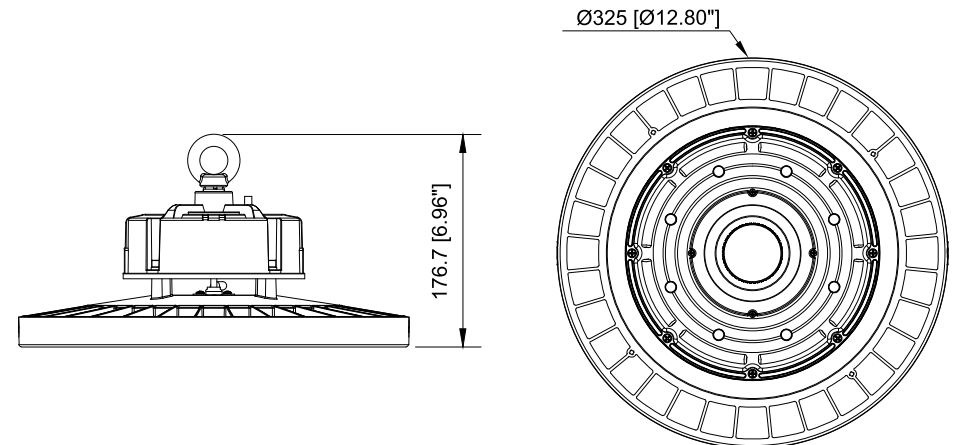
Operating Temp:-40°C~+50°C

Item	Power	Effi.	Leds	CRI	Weight	Beam Angle	CCT
AGL80W-02-G17	80W	140lm/W	LUMILEDS	> 80	2.2kg(4.85lbs)	60°/90°/120°	3000K
AGL100W-02-G17	100W	140lm/W	LUMILEDS	> 80	2.2kg(4.85lbs)	60°/90°/120°	4000K
AGL150W-02-G17	150W	140lm/W	LUMILEDS	> 80	2.2kg(4.85lbs)	60°/90°/120°	5000K
AGL200W-02-G17	200W	140lm/W	LUMILEDS	> 80	2.7kg(5.95lbs)	60°/90°/120°	5700K
AGL240W-02-G17	240W	140lm/W	LUMILEDS	> 80	2.7kg(5.95lbs)	60°/90°/120°	5700K

# Dimensions(mm)

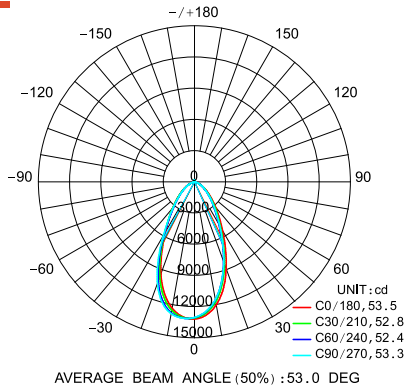


80W/100W/150W-P1

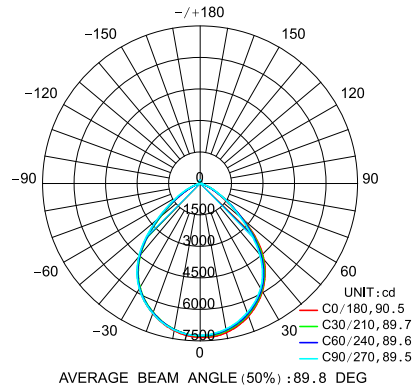


200W/240W-P1

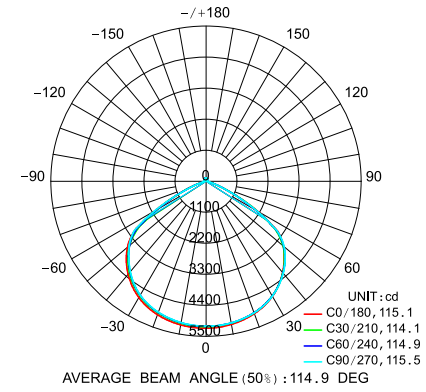
# Photometry



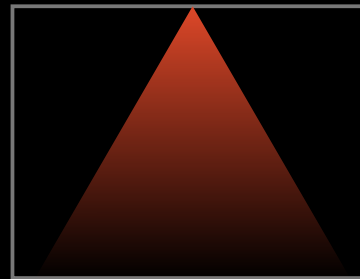
60°



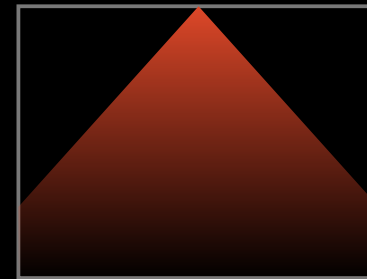
90°



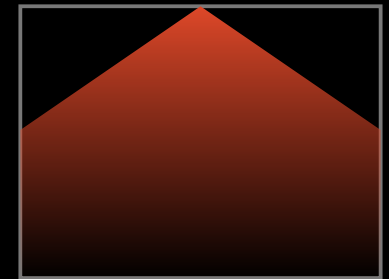
120°



60°



90°



120°

# Features





## Anti-glare Design

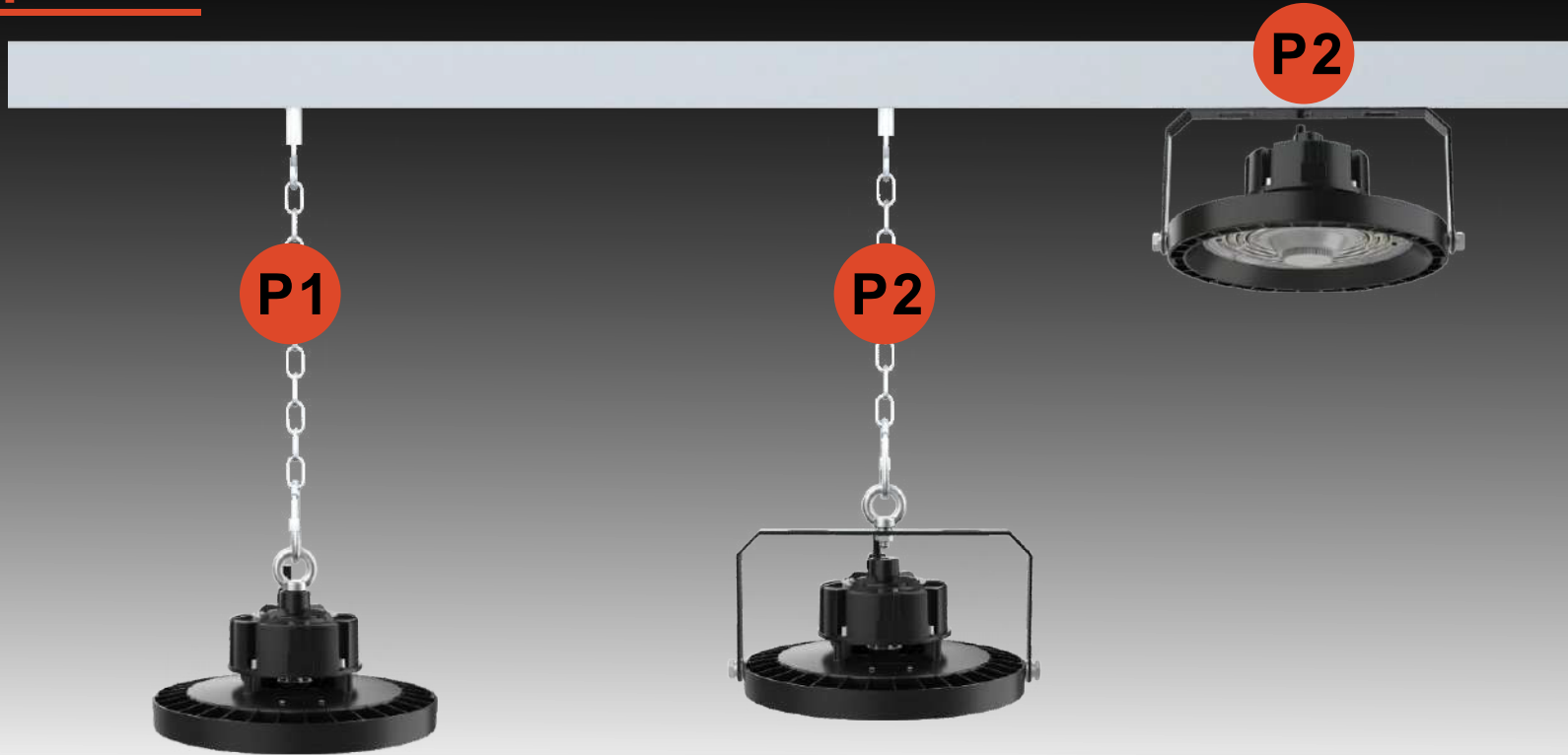
- ▶ Unique optical design, No frequency, Anti-glare ;
- ▶ Increase light efficiency and reduce light pollution.

## Unique arc design

- ▶ Unique arc design , easy to clean;
- ▶ Fine workmanship and elegant appearance ;
- ▶ Easy to install.

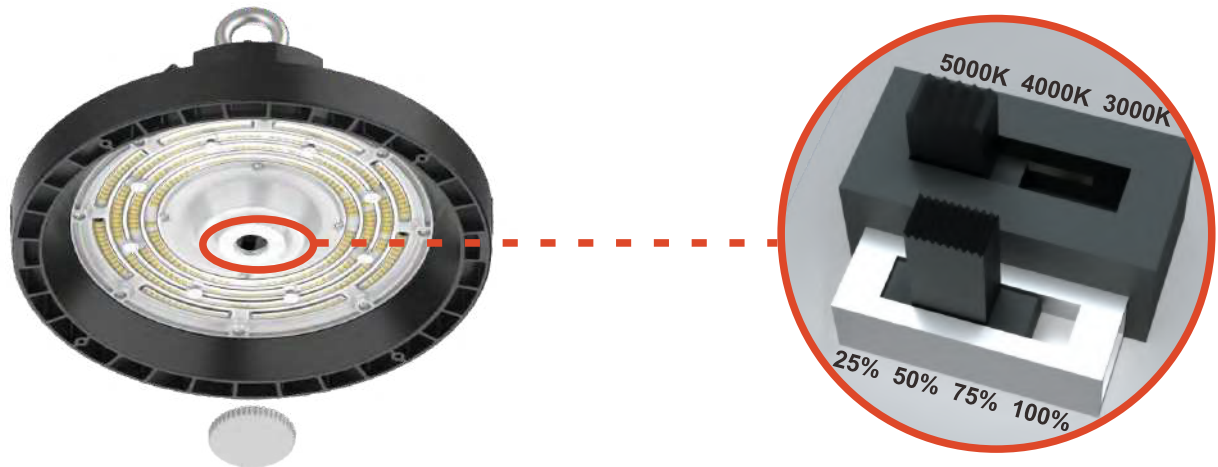


## Other Options



## CCT Power Adjust ( Options )

Easy to adjust the CCT and the brightness with toolless.





## Waterproof

- ▶ With high purity Aluminum ADC12 die-casting, it has a high waterproof level and quality anti-corrosive;
- ▶ Quality waterproof rubber, no deformation.

## Perfect heatsink

- ▶ ADC12 Die Cast Housing With Nicely 3D Heat Dissipation;
- ▶ With aerology heatsink design, it helps rapid heat dissipation;
- ▶ Lamp body and power supply are separately, better heatsink & Long lifespan.



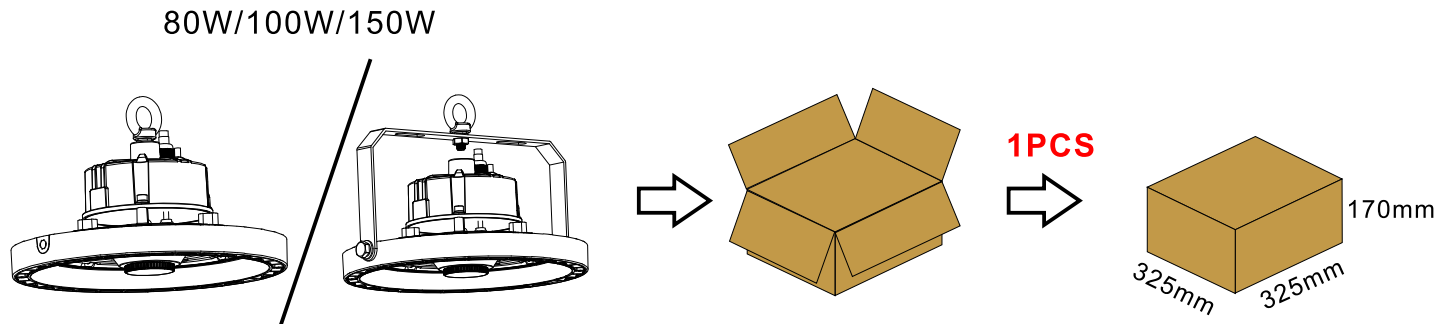
# Operating Temp: $-40^{\circ}\text{C}\sim+50^{\circ}\text{C}$





# Packaging Details — Small volume and light weight

- Easy for transport and storage
- Suitable for wholesale and distribution channel

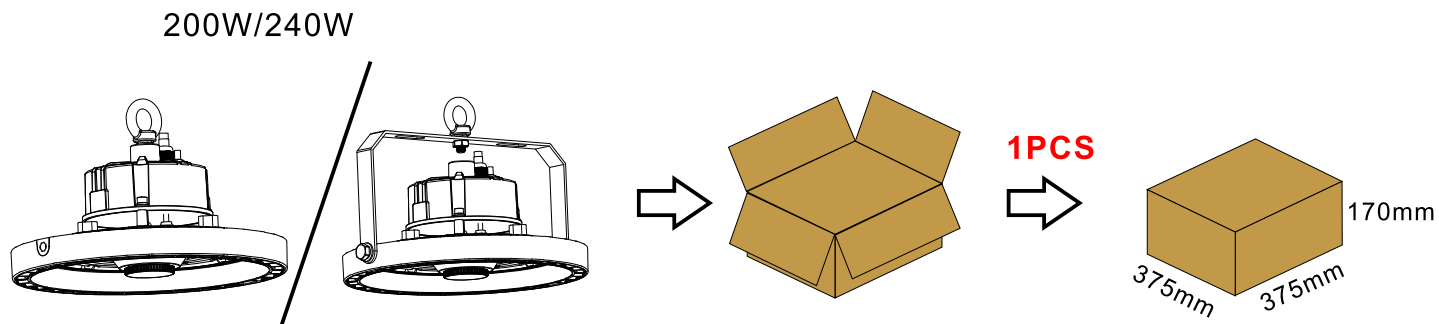


## High Bay Palletless Layout

**20ft** GP: = 1400PCS

**40ft** GP: = 3100PCS

**40ft** HQ: = 3700PCS



## High Bay Palletless Layout

**20ft** GP: = 1100PCS

**40ft** GP: = 2400PCS

**40ft** HQ: = 2800PCS

## Application

Factories, Steel Mills, Steel Smelting Plants, Farms, sport Facilities & Workshops, Storage Facilities & Warehouses, Supermarkets & Department Stores, Showrooms, Design Centers & Galleries.

# LED Highbay Light

100W/150W/200W

AGL-02-G18



# Specification



**IP65 water-proof**



**AC120-277V 50/60Hz**



**Easy Installation**



**140lm/W**

Beam Angle:60°/90°/120°

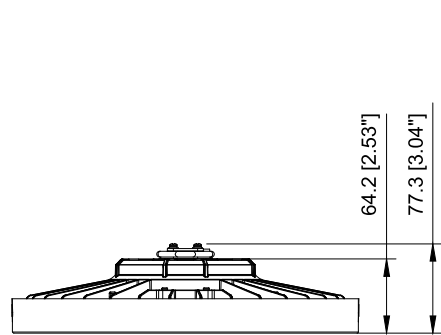
Warranty:5 Years Warranty

Raw Material:ADC12 Aluminum

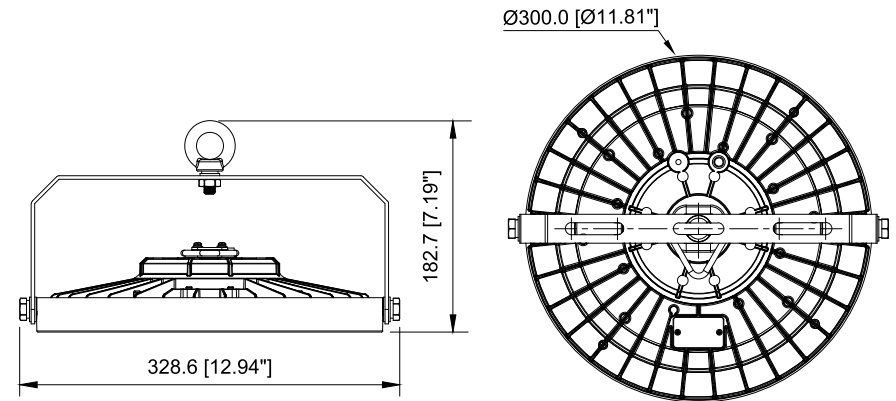
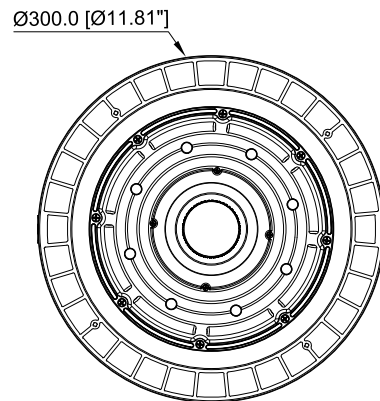
Operating Temp:-40°C~+50°C

Item	Power	Effi.	Leds	CRI	Weight	Beam Angle	CCT
AGL100W-02-G18	100W	140lm/W	LUMILEDS	> 80	2.0kg(4.41lbs)	60°/90°/120°	3000K
AGL150W-02-G18	150W	140lm/W	LUMILEDS	> 80	2.0kg(4.41lbs)	60°/90°/120°	4000K
AGL200W-02-G18	200W	140lm/W	LUMILEDS	> 80	2.0kg(4.41lbs)	60°/90°/120°	5000K/5700K

# Dimensions(mm)

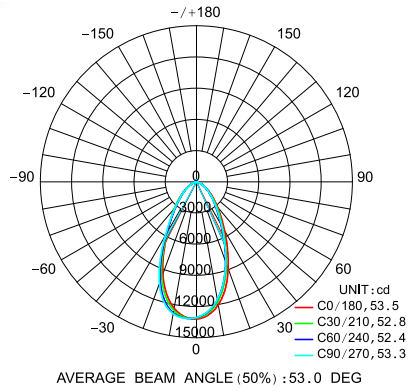


100W/150W/200W-P1

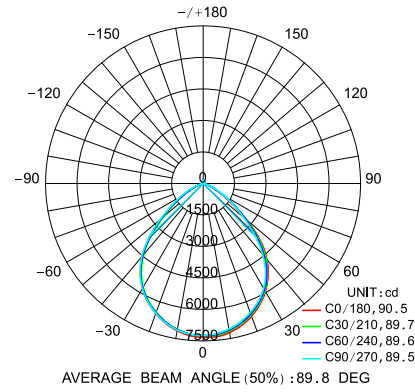


100W/150W/200W-P2

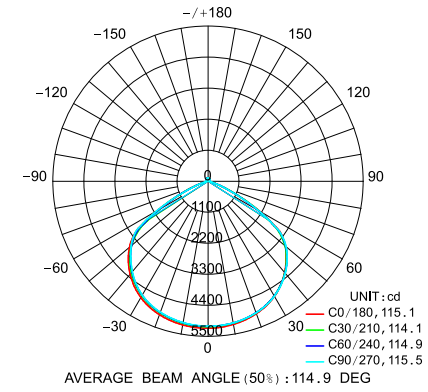
# Photometry



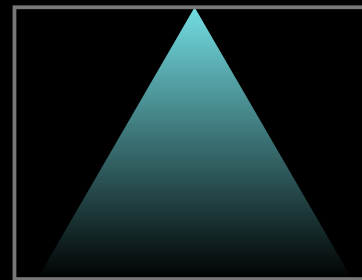
60°



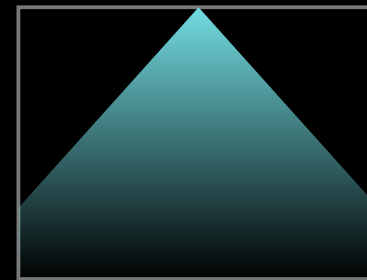
90°



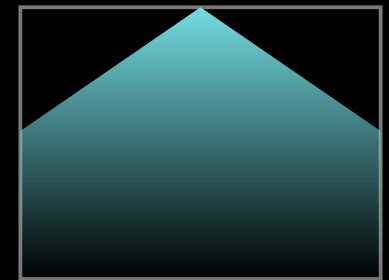
120°



60°

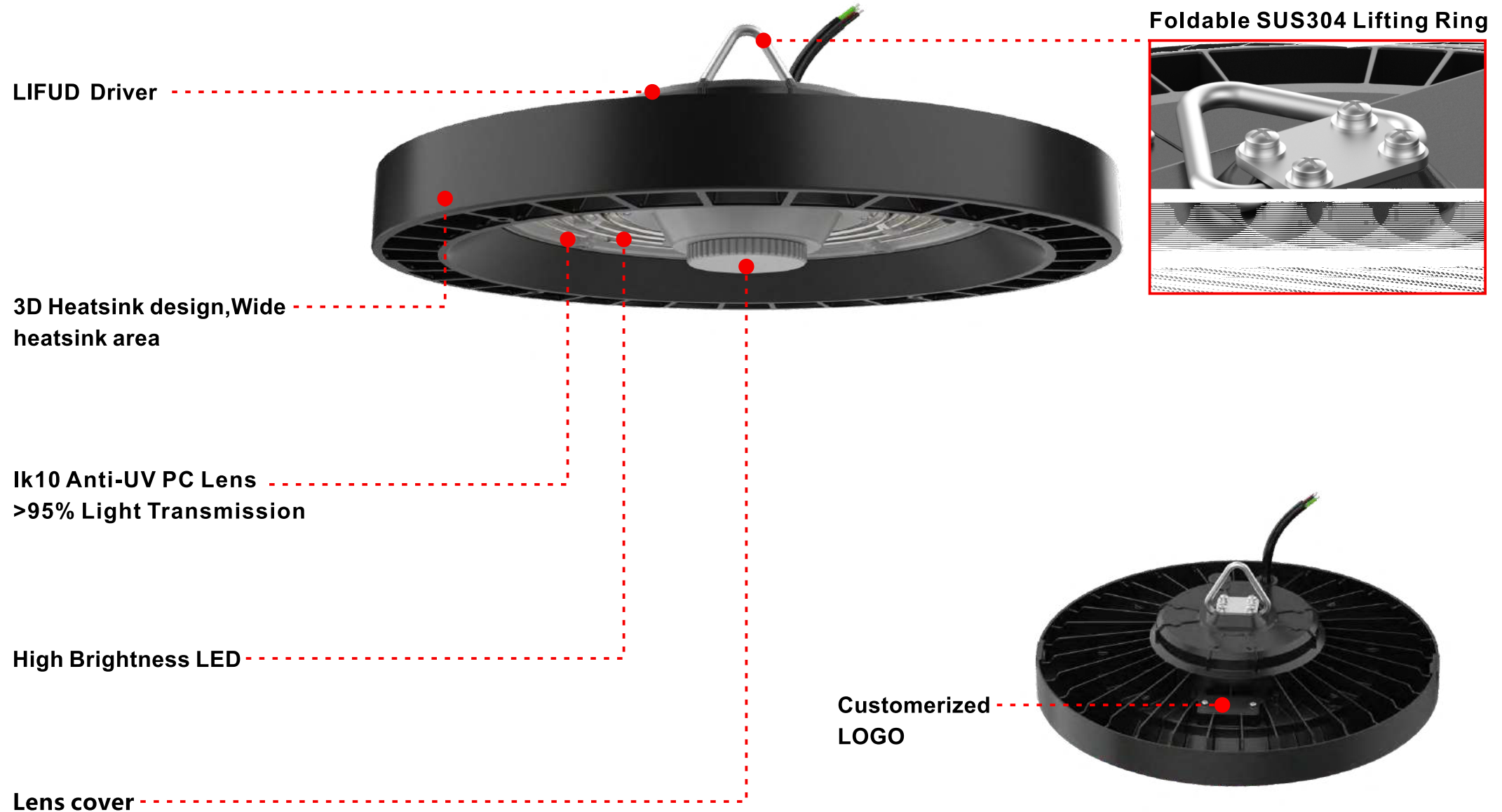


90°



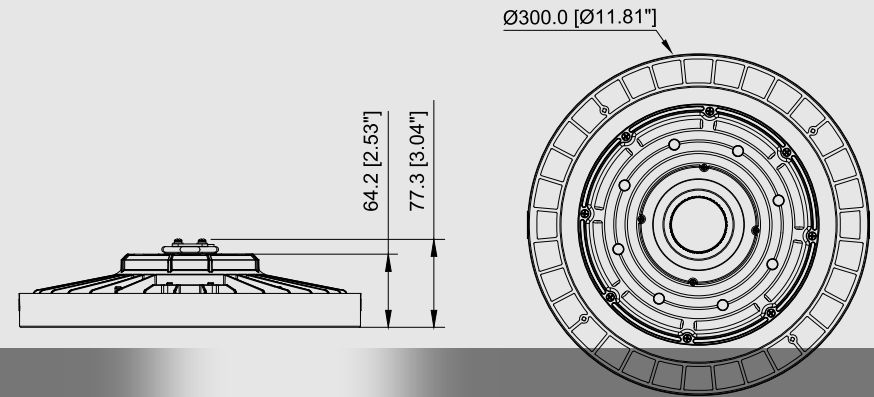
120°

# Features



## Dimensions ( mm )

100W/150W/200W-P1

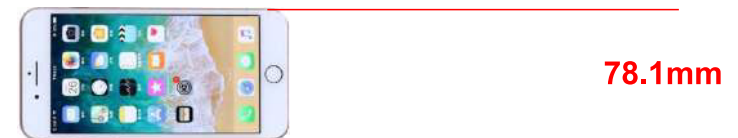
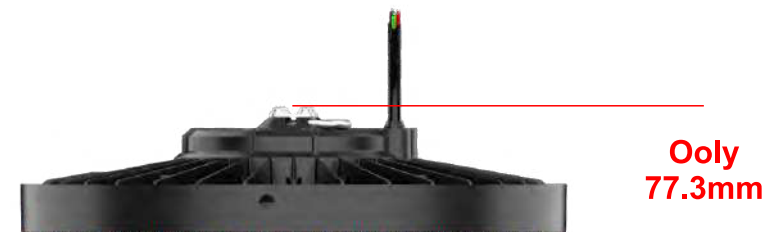


## Anti-glare Design

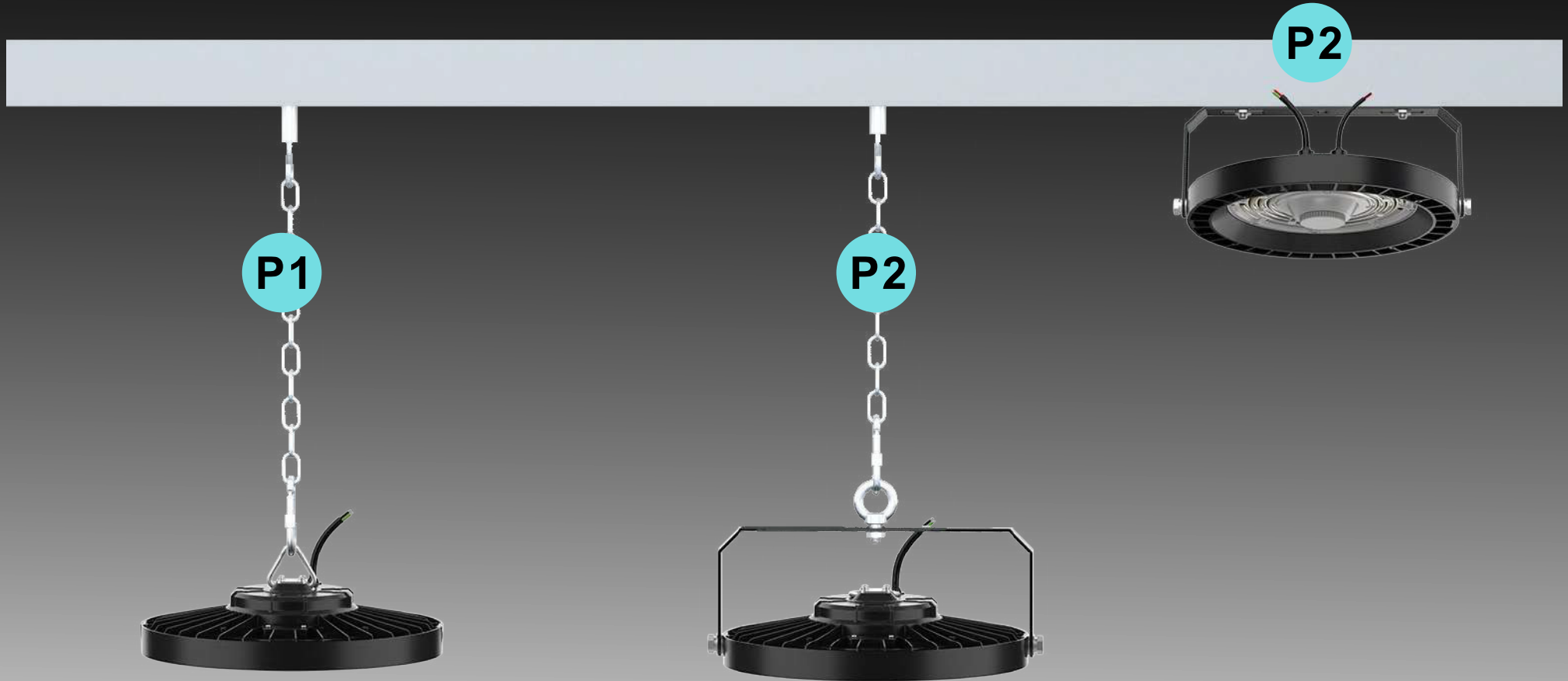
- ▶ Unique optical design, No frequency, Anti-glare ;
- ▶ Increase light efficiency and reduce light pollution.

## 200W VS iphone 8plus

- ▶ Small volume and light weight;
- ▶ Easy for transport and storage.



# Other Options



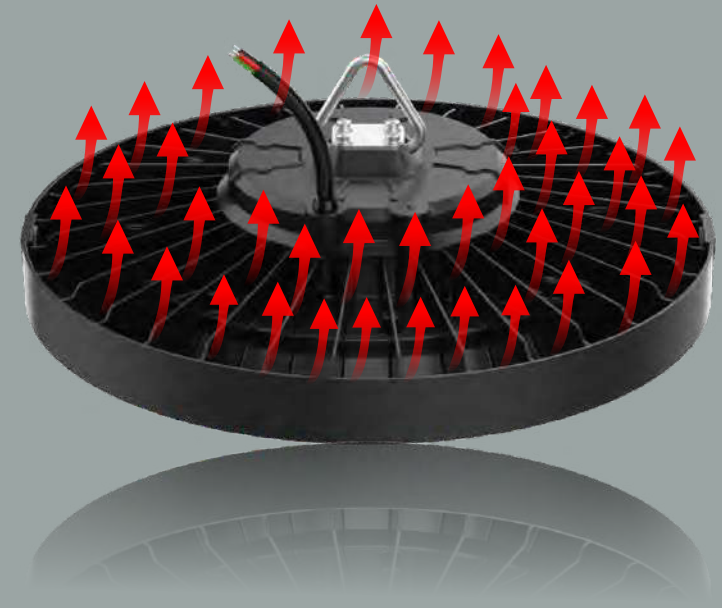
## Perfect heatsink

- ▶ ADC12 Die Cast Housing With Nicely 3D Heat Dissipation;
- ▶ With aerology heatsink design, it helps rapid heat dissipation;
- ▶ Lamp body and power supply are separately, better heatsink & Long lifespan.



## Waterproof

- ▶ With high purity Aluminum ADC12 die-casting, it has a high waterproof level and quality anti-corrosive;
- ▶ Quality waterproof rubber, no deformation.



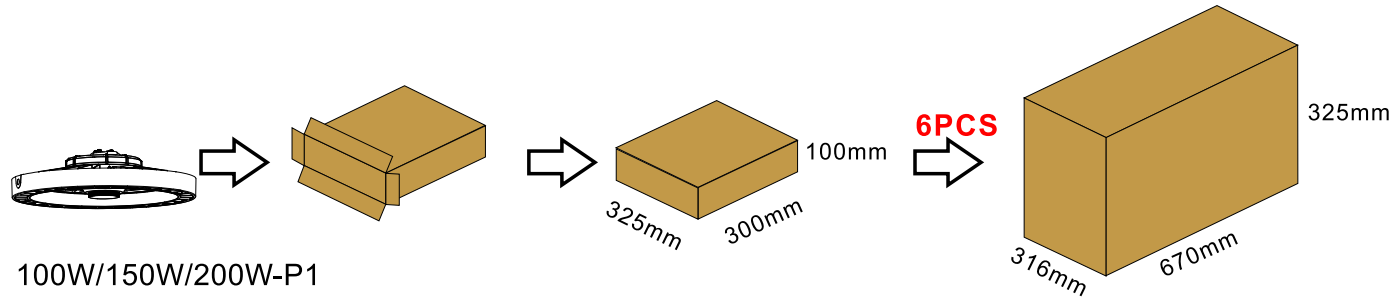


Operating Temp:  $-40^{\circ}\text{C}\sim+50^{\circ}\text{C}$



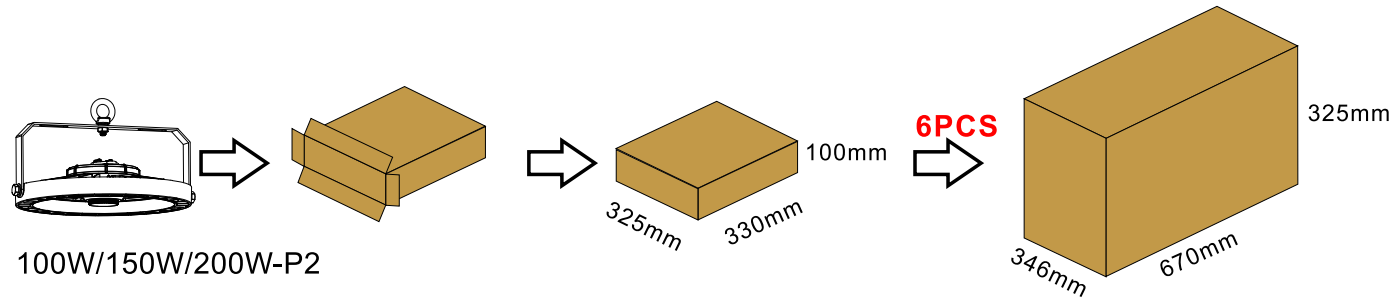
# Packaging Details — Small volume and light weight

- Easy for transport and storage
- Suitable for wholesale and distribution channel



## High Bay Palletless Layout

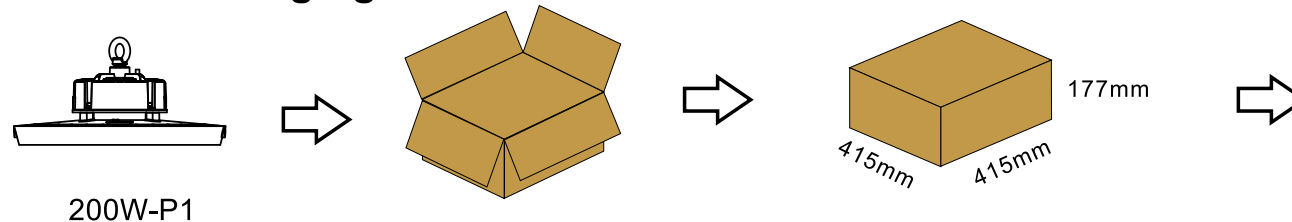
**20ft** GP: = 2300PCS  
**40ft** GP: = 5000PCS  
**40ft** HQ: = 5900PCS



## High Bay Palletless Layout

**20ft** GP: = 2100PCS  
**40ft** GP: = 4600PCS  
**40ft** HQ: = 5400PCS

## Other's Packaging



## High Bay Palletless Layout

**20ft** GP: = 850PCS  
**40ft** GP: = 1850PCS  
**40ft** HQ: = 2200PCS

# Application

Factories, Steel Mills, Steel Smelting Plants, Farms, sport Facilities & Workshops, Storage Facilities & Warehouses, Supermarkets & Department Stores, Showrooms, Design Centers & Galleries.